

# The Keynote

Newsletter of FISTS CW Club, the active chapter of the  
International Morse Preservation Society

"Accuracy Transcends Speed"



- Further the use of CW
- Encourage newcomers to use CW
- Engender friendships among members

"When You've Worked A FISTS, You've Worked A Friend"

## HOW DO I...?

\***JOIN?** Membership is open to all interested in Morse code, irrespective of their speed and ability. Subscriptions = **\$15.00/year**. Under 17 = **FREE** Students = \$10. Family members may join FISTS at no extra charge - only one newsletter is mailed per household. **FISTS, P. O. Box 47, Hadley, MI 48440** **NOTE: CHECKS can take 6-8 weeks to clear from the day received.** Nancy processes them, updating the database, then takes them to the bookkeeper. The bookkeeper enters them into the "official books", then takes them to the bank. Depending on schedules that month, it can take 6-8 weeks. **Questions?** Write to nancy@tir.com

\***GET AN UP-TO-DATE MEMBERLIST?** Send a SASE with \$2.00 to Ed Hayes, N7CFA 2628 Lilac Street, Longview WA 98632. Lists are available on the FISTS Web page.

\***Join the FISTS Email List?** For periodic Email updates send your Email address, call sign and FISTS number to Kathi, at FISTS-Elist@attbi.com. Due to spam problems, the list is not given out to the membership.

\* **ORDER SUPPLIES?** Irene Kott, WO8E 44609 N. Bunker Hill Dr, Clinton Twp, MI 48038; gold logo stickers 200 for \$3.50; "I Support KNOW Code" buttons for .50; Blue enamel /gold metal clasp-back logo pins \$2.50; Rubber stamp of FISTS logo to use with an ink pad (not included) \$5.00; embroidered patche with key logo \$1; The Art & Skill of Telegraphy book \$13.23; Pse make checks out to FISTS, these prices **DO** include postage. Mugs and shirts are sold out.

\***GET/SEND FISTS QSL CARDS Via BURO?** Send SASEs and FISTS member cards only (DX and NA) to Stan Reas, K4UK, at 1020 Long Island Dr, Moneta VA, 24121.

\***RENEW?** Send **\$15/year** or \$10/year for students (under 16 and family members are free) to **FISTS, PO Box 47, Hadley MI 48440-0047**. Your renewal date is on your mailing label — please look at it!! We send out ONE renewal postcard when your renewal time is near. If you've sent in your renewal but get a reminder postcard within a couple weeks, please don't be concerned, the card probably crossed with your renewal.

\***SEND APP OR SAMPLE NEWSLETTER TO A FRIEND?** For a brochure email Joe Pardue, w5os@arrl.net with their name, call sign, and postal address. For a sample Keynote, please send \$1 to defray postage. SASEs are appreciated. Joe's postal address is Joe Pardue, 29 Melrose Dr., Marrero LA 70072-5055. Applications are on the FISTS Webpage.

\***SEND FISTS INFO TO A DX FISTS?** DX FISTS have a separate block of numbers; their Keynote is mailed from the UK. Send their info to Geo Longden, G3ZQS, at 119 Cemetery Rd, Darwin Lancs, BB32LZ England, he'll send them a DX application.

\***PAY FOR THE SUBSCRIPTION OF A DX FISTS MEMBER?** Subs for European FISTS, paid from the USA, is \$10/year. Non-European FISTS are \$15/year in US CASH. No International Money Orders, postal money orders or personal checks, cash only. Send it to Geo Longden, 119 Cemetery Rd, Darwin Lancs BB3 2LZ U.K. CASH ONLY. Don't forget to include the name and address of the DX ham you want to sponsor. They will receive the DX version of the Keynote, which is written and mailed by Geo.

\***APPLY FOR AN OPERATING AWARD?** For ALL awards, send the name of the award, a log of the required info (check the individual award requirements) and your mailing info to Dennis Franklin, K6DF, 4658 Capitan Dr, Fremont, CA 94536-5448. Do not submit QSLs. There is no charge to FISTS members in good standing, but stamps are appreciated. Dennis handles ALL awards, do not send logs to England.

\***VOLUNTEER FOR or GET A CODEBUDDY?** Contact Terry Klar, Itklar@sisna.com or 1870 E. Atkin AVE. Salt Lake City, Utah 84106 We need ELMERS, please volunteer to be a Code Buddy!! Code Buddy applications are available on line from a link on our web page.

\***GET MY PHOTO ON THE PHOTOPAGES?** Send a snapshot of yourself, with your face about the size of a quarter, to Ken Kott, W8ROG, 44609 N. Bunker Hill Dr, Clinton Twp, MI 48038.

\***RECEIVE THE KEYNOTE ON TAPE?** The KN is available on tape, free, to legally blind members. Contact Ken Kott, W8ROG, 44609 N Bunker Hill Dr. Clinton Twp MI 48038 or at ikott@compuserve.com

\***GET A COPY OF FISTS PRESENTATION** to give at a local club meeting? It's easy and fun! We send you everything you need for a snazzy 15-20 minute presentation. Contact Joe Spencer, KK5NA, 3618 Montridge Ct, Arlington TX 76016. email: kk5na@quadj.com

\***FIND THE WEB PAGE?** <http://www.FISTS.org> **Web page suggestions?** Contact Bill at KK4KF@LizardCop.com

\***ORDER FISTS CLUB QSL CARDS?** For pricing info send SASE to WX9X at 1608 E. Lincolnway, Suite H - Valparaiso, IN 46383. A scan of the QSL card is on our FISTS Web page.

\***ORDER A FISTS CLUB ID BADGE?** Our club badge is blue, with FISTS logo in gold and your name, FISTS number, call sign, and Int'l Morse Preservation Society in white. \$8.20 postpaid from The Signman of Baton Rouge, 879 Castle Kirk Dr, Baton Rouge, LA 70808.

\***IMPROVE MY CODE SPEED and MEET LOTS OF NEWFRIENDS?** Join FISTS! Get involved in the nets and activities! Volunteer to be a Code Buddy! Write an article for the Keynote about your interests!

The Keynote, official publication of FISTS CW Club, is published approximately 10 times a year by Nancy Kott WZ8C, PO Box 47 Hadley MI 48440. WZ8C reserves the right to edit submissions for clarity, suitability and space limitations.. Comments not attributed to another are written by WZ8C. **Articles from the Keynote may be reprinted if credit is given to the original author.**

# NORTH AMERICAN MEMO

EDITOR: NANCY KOTT WZ8C

## *Net Information*

*Slow Traffic Net:* Tuesday and Thursday 9PM EST on 3.682

*Slow RagChewing Group:* Wednesday at 9PM EST on 3.720

**Volunteer Net Controls needed to run the Century Net on Sunday afternoon on 14.058 MHz**

*Saturday QSO Groups:* 2000Z on 14.058 MHz and 7.058 MHz at 2300Z.

*Sunday Slow Speed Chat:* 21.158 MHz at 1700Z

**Keep watch on the Novice subbands and frequencies ending in .x58 but PLEASE spread out. There have been over 9000 FISTS numbers issued. If we all try and chat on just these frequencies, all anyone will get is a lot of QRM. Please be courteous of nets and QSOs in progress and ask if the frequency is busy before calling CQ.**

## **Courtesy At All Times!**

Please note that FISTS subs rate hasn't gone up thru numerous postal hikes. Help us keep costs down by sending in your renewals early and letting Nancy, WZ8C know your address changes.

It costs FISTS 70 cents for each undelivered or forwarded Keynote due to address changes. This really adds up!

Hi FISTS! This is the last issue of 2002. I hope you have had a healthy and prosperous year. There have been a lot of things happening here at my QTH, most notably, my new job.

Worldradio magazine called me a couple months ago and asked if I would like to be the new Editor. I said "YES!" before even thinking about it. After all, how often do you get a phone call asking if you would like to get paid for something you love to do?

Worldradio is in California, and I am in Michigan, so they sent me a computer with all the stuff on it that I might need - I'm telecommuting. The computer they sent is a Mac and I'm used to a Windows PC, so it's been a steep learning curve all the way around. I'm very grateful to Rick McCusker, FISTS #, WR's previous Editor, he's helped out a lot with the transition.

I hope to learn things that will let me make the KeyNote better. FISTS is still my top priority, and the new Worldradio job takes the place of my old day job for the most part, so you shouldn't notice any disruption. I'm sorry this issue is so late, we held it up to get late break-

ing news about the new awards and Sprint results in before closing out the year.

## THE WINTER SPRINT IS THE 2ND SATURDAY IN FEBRUARY 1700Z-2100Z.

There are still days available for operating the FISTS USA Callsign. Contact Dennis K6DF (address is on How Do I page) to sign up. Details of the certificates for working/using FISTS USA are not finalized at the time of printing, but will be up on the web site soon, and also will be in Issue 1, 2003 of the KN, which you should get by the end of January. At the present time our callsign is KC8VIO. I've applied for a vanity, but none has been granted to us yet.

Dennis has created a calendar on our website with the callsigns of people authorized to operate each day of 2003. *When you are operating FISTS USA, you are "flying the flag" of FISTS, so be extra aware of your operating procedures, courtesy, fist and content of your QSO. I hope to be able to pass around the callsign indefinitely, so let's make it work!*

# Welcome to the New FISTS

Number Call Name State Sponsor

Number	Call	Name	State	Sponsor
9412	Mark	AA0CX	ND	
9413	Bert	KG2G	FL	W4PBL
9414	Gonzales	W5SFL	TX	
9415	James	OA4BR	Peru	
9416	Ron	WJ7R	OR	N7NU
9417	John	KJ5CU	TX	
9418	Bob	KD1V	CO	
9419	John	KG4TDJ	VA	
9420	Chris	K3CW	PA	
9421	Pat	AE6IM	CA	
9422	John	W6ZBG	CA	K1LU
9423	Allan	KC8RNQ	MI	
9424	Mark	W8FSA	MI	
9425	Jim	K0FNR	CO	
9426	Gary	W4GNS	VA	
9427	Robert	KD5TVD	TX	WA6BAD
9428	John	KD5OSZ	TX	WA6BAD
9429	Wes	WZ7I	PA	
9430	Ron	WB8LZR	NC	WB2FXK
9431	Don	VE3UN	ONT	WA5SOJ
9432	Darrell	W4CX	NC	
9433	Roy	KF5YU	TX	
9434	George	W9TNN	MI	KC5GXC
9435	Galen	WA6PIE	CA	
9436	Mike	W6YDG	CA	KG6AXD
9437	Mike	VE3WMB	ONT	
9438	Gene	K1AVE	MA	
9439	Carl	K8NU	OH	
9440	Joseph	KD5RFC	TX	
9441	Darron	WA5TCZ	LA	
9442	Michael	KC2IXC	NY	KA1ZQR
9443	Doug	K1RDD	MA	
9444	Matt	KB1FKL	CT	
9445	Jerry	K0DRB	CO	W4MJT
9446	Bob	KB8DID	MI	
9447	Wes	N1WH	MA	
9448	Bill	K5PML	OK	
9449	Andy	WA3RML	TX	
9450	Carolinas Club	KG4VLC	SC	WA3GNW
9451	Alan	KG4TJW	VA	
9452	Ron	N1OZL	MA	
9453	Russ	K7INA	WA	
9454	Harvey	VA6HS	AB	WB2FXK
9455	Dave	KC9BRZ	IN	KB9BVN
9456	Jim	KV6S	CA	KB9BVN
9457	Stan	KC8UJQ	MI	N8EN
9458	Larry	VE9LJF	NB	
9459	Vince	NT9N	IL	
9460	DAN	KC0OBU	MN	
9461	BOB	WB4UT	AL	
9462	RON	WA8RC	MI	
9463	BOB	K2ON	NJ	
9464	TOBY	K4CJW	TN	KB3ENU
9465	KEN	N5EBD	TX	
9466	JOHN	W9DOC	IN	
9467	JOEL	KD0HU	KS	
9468	David	K7IOU	AZ	KD7ISE
9469	VIRGIL	K7VP	AZ	KD7ISE
9470	ADAM	KC7DVF	AZ	KD7ISE
9471	Darval	W7KNA	AZ	KD7ISE
9472	Robert	N9KR	IN	W5OS
9473	SY	WB2HCC	NY	W5OS
9474	JACK	N8XU	WV	
9475	UTAHS DIXIE DX/CONTEST	W7TU	UT	W8EQA
9476	JACK	W9JIU	AZ	KD7ISE
9477	ED	NS8R	OH	
9478	SAM	N4QE	AL	
9479	LEO	KB7LOC	OR	N7NET
9480	KURT	N5POW	LA	
9481	WALT	KC4JB	FL	
9482	PAUL	KB8GSV	OH	
9483	DAVE	KC0MTC	IA	K0ANZ
9484	JIM	W6WR	CA	KD7OHL
9485	DAVE	KK6M	CA	
9486	JUERG	N0PP	IA	
9487	JEFF	AA4RT	AL	WB4UT
9488	DEE	KD5MDO	LA	
9489	BRIAN	KB4JZG	FL	WS4Y
9490	Charlie	AC4AF	VA	WD8OCV
9491	DAVE	N3CEO	PA	W1AWB
9492	BRUCE	K6RBF	CA	
9493	KARL	K6QMT	CA	K6RBF
9494	Dozier	WA4DEO	GA	
9495	NEIL	KA8EDB	OH	
9496	FRANK	WA1YYJ	MA	KC8KVW
9497	FRANK	KK5XX	TX	
9498	PHYLLIS	KA7JCT	CO	K6KSG
9499	Charles	KC8TGU	WV	KC2JHP
9500	R.F. Heytow Memorial	K9YA	IL	N9BOR
9501	Vic	KG8VT	SC	
9502	Joe	KB8JNW	CA	
9503	Bill	KG4RRT	FL	

Number	Call	Name	State	Sponsor	Number	Call	Name	State	Sponsor
9504	Greg	N5SQL	TX	WB2FXK	9552	JOHN	KA8MPT	MD	WZ8C
9505	RON	KW5Z	NM	WA5TCZ	9553	FRED	K7SCX	CO	K7LFY
9506	JOHN	KA1RZ	FL		9554	PAT	KC0MOB	CO	K7LFY
9507	Larry	WB4KIJ	NC		9555	Phillip	KB0ETU	AL	
9508	RAY	KB9TQC	ME	N1YUK	9556	Toney	KC0JZX	CO	
9509	PHIL	WJ8L	MI		9557	DAVE	K4OKK	FL	
9510	Thomas	WB7NXH	AZ	KD7ISE	9558	SKIP	WB6VVA	RI	ND4U
9511	RICK	KD5HVU	NM		9559	GENE	KR3I	PA	KA9SXH
9512	Glen	W6EIE	CA		9560	ROY	KE0UQ	OH	KG4NNN
9513	Dave	KC8UTL	OH		9561	KATS	KG6NMU	CA	
9514	Lucy	KL7LH	MT	K7ZPE	9562	CLAY	W8JNZ	MI	
9515	John	VE7CFG	BC		9563	JOE	KB9YKY	IL	
9516	BILL	N5AQ	OK	WB2FXK	9564	DAN	W2AU	NY	
9517	JIM	WB2EDO	NJ						
9518	David	KB9YOZ	IL						
9519	BILL	KW9D	IN						
9520	BOB	W4ZY	VA						
9521	PAUL	N9PF	IN						
9522	Chuck	KB3HJQ	PA						
9523	DON	K5CFA	TX						
9524	Carla	NV5R	TX						
9525	Cliff	AD6BS	OR	KQ6HB					
9526	Buzz	AC7RG	AZ						
9527	David	KC9AMY	IL	WB2FXK					
9528	Susan	KD7OHH	OR						
9529	Pierre	VE2OI	Queb						
9530	JIM	W5RZB	AR						
9531	Warren	WS1D	ME						
9532	Larry	N2ICZ	NY						
9533	Alesha	KG4UJI	TN	ND4U					
9534	DAVE	KG4SNP	NC						
9535	DAVE	KC0OFK	CO						
9536	Robert	AB1AU	ME	AC7RG					
9537	Bob	KC3W	MD						
9538	Ronald	W7AI	AZ	KD7ISE					
9539	Dail	N6DGT	AZ	KD7ISE					
9540	Devin	KC2KFC	NY						
9541	Forrest	N4UTY	VA						
9542	NICK	KD5QEF	NM						
9543	JERRY	W0CI	IA						
9544	BILL	N6XGX	CA						
9545	Larry	WA0KFP	NE						
9546	Charles	N3DOG	CA	W5OS					
9547									
9548	DAVE	N1CGP	ME						
9549	George	VA7DLM	BC	K3QA					
9550	reserved	for a club							
9551	MARC	N4DR	MD						

### Call Changes

Frank, 9496, KB1IXL to WA1YYJ  
Mike, 4527, KA1DDB to K8DDB.  
Andre, 8170, KC5WYV to AD5FK

### Slippery Key? Try these suggestions...

I find that a small piece of that light foam used for keeping rugs or futon mattresses from slipping works superbly and you can move it from place to place. 73, Casey, KS7J

Hello FISTS: I would like to tell you about a product that I had seen in QST, it is called Sticky Pad. You place this under your key and it will stop the migration that goes on each time you use it. It measures around 4" X 7" and it just sticks to your desk top and you place the key on it and VIOLA. According to the manufacturer it does not contain any adhesive and it is washable and reusable. It is sold mainly for use in cars to place your glasses or cell phone on it and keep it in one place. I was able to locate mine at Radio Shack model # 13890 for \$4.99 plus tax it is also supposed to be carried by Staples and Walmart. John WB2EXI

Last week, while at the store, I picked up a whole ROLL of the very same stuff (12"X5") for 88 Cents! It's called "Gripriete Non-Slip Liner" and it works. Same stuff the RV folks have been using for years. 73, and hold those Rascals! John WB9OFG

## FISTS Sprint News for 2003

Hello fellow FISTS and Happy Holidays. First off, thanks for all the wonderful comments and kind words from each of you during the past two years I have managed the FISTS Sprints. Each of you has made these events a joy to not only work, but to manage as well.

I'll get started with a change for 2003. The multiplier for DXCC has been at times a bit confusing for some and also difficult for writers of contest software to create modules for their programs. In 2003 there is a slight change in the scoring for DXCC stations worked. Starting with the Winter 2003 Sprint all DXCC worked will only be counted once for a multiplier, the same way W/VE QSO's are treated now. This will make it easier to score and hopefully make it simpler for the software writers as well. I'm working with different folks who write modules and programs for contesting software to get the FISTS Sprints included in their programs. I will keep you all updated on that. If you're a programmer and would like to take a crack at making up your own program for the Sprints, let me know. This would be a good way to showcase your talents and help promote the FISTS Sprints as well.

From time to time I get suggestions on making the Sprints more fun, less stressful, or just hints/tips in general. These are very much welcome and encouraged. Please feel free to write to me or e-mail me (n8ie@who.rr.com) if you have any questions, or suggestions. Some of the suggestions I have gotten are: a separate category for high power, certificates for DX stations, make one of the Sprints longer. We will have a special year end award in 2003 - Nancy will have more on that next year. We are also looking for your input on ways to get more FISTS active during the Sprints. I would like to see more club stations get their local members active. This would be a great time to showcase FISTS and CW in general to would-be Hams, especially kids! So put your thinking caps on and let me know what you think.

Over the past year I have seen an increase in new

FISTS numbers in the Sprint logs submitted, this is wonderful. Most tell me this is their first crack at contesting and are surprised at just how well they did. Keep up the great work folks and welcome to contesting. But be careful, it can be addictive. Also of note is the number of you fellow QRP'ers in the Sprints. This is great to see and I encourage you all to keep up the good job as well, as Mr. QRP himself, John, K3WWP says "So you see with a little determination, you can do a lot with QRP and simple wire antennas." John's writings in the KeyNote and other publications should be on your must read list. Visit his website at: <http://www.alltel.net/~johnshan/index.html> That about wraps it up for now, and once again thanks for your kind words. Have a great 2003 and hope to catch you down the logs! 73, Dan, N8IE FISTS #4985, Sprint Manager

++++  
As with any group, large or small, Amateur Radio is not without it's share of crackpots, bad apples and people with too much time on their hands. It has been brought to my attention that some FISTS have received letters and emails signed "fists policy enforcement" or "Morse code police" and other variations, criticizing their operating practice or their sending ability.

The sender does not have the courage to sign his/her name or callsign; they are hiding behind an alias implying they are authorized to send out these letters on behalf of FISTS. **Please rest assured they are NOT.**

*There is not any type of FISTS Police cruising the bands looking for "violators."*

If you get one of these letters, please forward it to me. I don't know if I can do anything about tracking down the sender, but I suspect they are from the same person. Don't let it upset you, it is sort of pathetic, actually - it must be a very hostile and sad person holed up in front of a typewriter, thinking of ways to make others feel bad - you are the one on the air having fun! - Nancy WZ8C

## New Years Resolutions

"Good Amateur Practice is a hard thing to define. I'd have to say it's operating with the realization that frequencies are shared, that there's going to be occasional interference and that's no reason to become hateful and paranoid. You have to realize that more people listen than ever before, especially since the events on 11 September, and our rights end where another person's begins.

"It means giving a little ground even if you have a right not to, in order to help preserve Amateur Radio and not cause it to get a bad name or hasten the day when it becomes obsolete.

"It means not using that one Kenwood rig on 6kHz bandwidth when there are lots of people on the band.

"It means not acting like an idiot just because you were stepped on. It means being aware that we all love Amateur Radio, and why damage it just to save face?

"It means cutting a net or a contester a break even if you don't have to and even if you have no interest whatsoever in nets or contesting.

"It means being nice, because one thing we don't need more of are idiots in the radio world. Now this doesn't touch on a lot of technical issues such as using 1,500 watts when your signal report received is 20 over 9.

"It just means a lot of things that can't be qualified, such as respecting a band plan because it makes it possible for every mode to have a chance.

"It means operating so that if a neighbor, niece or nephew or news reporter hears you, that person is impressed with Amateur Radio.

"It means realizing that every right carries responsibilities, and just because you may have a right to do certain things doesn't mean it's right to do them in every circumstance.

"It means just because you haven't done a creative thing in Amateur Radio in 25 years, and have been on the same frequency every morning for 135 years shooting the breeze with Harry, who's 200 miles away, doesn't mean you own the frequency.

"It also means NOT operating so whoever hears you becomes sorry as hell they ever got into Amateur Radio in the first place."

Riley Hollingsworth FISTS #7208

## QRP With John Shannon K3WWP

One of the questions I am frequently asked is "Which band is the best band for QRP?" Often someone considering a single band QRP rig will ask the question. Also someone who has limited space for antennas with room for only one antenna will ask it.

I love many different facets of ham radio, as long as they deal with CW and QRP. Therefore I feel the best option is to have a rig that operates all 9 HF bands. Until recently, there were no good dedicated QRP rigs that fit that category. Now there are several including the K2 and FT-817, which seem to be the best of the bunch. I probably would be using one of them today had they been available at the time I upgraded to my Kenwood TS-570D. It's not a dedicated CW/QRP rig as you know, but I use it as one.

Because of the above info, I always suggest getting an all band rig when someone asks me to recommend one. However that is not always possible because of budget or other considerations. Study my band descriptions a little later in the article to help you decide on a one-band rig if that is what you really want.

First a few words about antennas. I definitely fall into the category of a ham with limited antenna space, yet I manage to operate all 9 HF bands successfully. How? I have described my antenna situation in detail before and the info is on my web site as well. Let me just say simply that I use an end-fed random wire for 160-30M and I have 20M, 15M, and 10M dipoles. The 15M dipole also works on 17M and 12M. All of

that is fit into a small town lot that is about 100 feet by 20 feet. The house takes up most of that area. So don't necessarily let limited space limit your choice of operating to a single band. You can squeeze antennas into a small space and still have them work very well.

Now let me give you my thoughts on each of the HF bands. Each band description starts with the number of US states, countries, continents, and CQ zones I've worked on that band. This will give you a quick idea of how the band works for QRP and simple antennas.

160M - 41, 3, 1, 3 - It is very hard to be successful on this band with a minimal QRP setup. My only non-W/VE contact was a VP9. It takes a really big, well designed antenna to work much beyond a few hundred miles easily. Small or low antennas if not vertically polarized will emit signals at high angles of radiation that are greatly attenuated by the large number of hops they take to reach a distant destination. Those stations I've worked in the western states (CA, OR) copied a signal from me that was well down in the milliwatts by the time it got there. I have had many good rag chews on this band with local (0-400 mi. or so) stations. This is pretty much a winter only band for QRP as static during the other months will almost obliterate a minimal QRP signal. I believe this band works better near a sunspot minimum when the ionosphere is not as absorptive. I have easily made around 250 QSO's in the 160M contests when near a minimum, but near a maximum it was very hard for me to get to 100 QSO's.

80M - 47, 27, 4, 11 - This band is similar to 160M but the antenna limitations are not as bad. A simple antenna will work pretty well here. I probably will never work EU on 160M, yet I have done so on 80M several times, working as deep into EU as OK. This is a very good rag-chewing band, especially in the late fall, winter, and early spring seasons when static levels are low. Signal levels are steady over long periods of time with little fading. As with 160M, this seems to be a better band near sunspot minimums.

40M - 50, 108, 5, 23 - If you're a rag-chewer looking for a single band, this is probably the one for you. There is always someone

around, day and night. Minimal QRP works well here, even for DX. When conditions are right it is possible to easily work the world here, perhaps with the exception of those places that require your signal to pass near the highly absorptive polar regions of earth. For me, that means Asia, and I haven't worked that continent yet on 40M. I seem to easily work VK and ZL with a single call in contests or some rare Pacific Island on a DXpedition just as easily. There have been times in DX contests when I could work EU and AF almost as well as on 20M. This band does not change all that much during a sunspot cycle. One thing on the down side is the large amount of digital and phone junk that is creeping into the Morse areas of the band.

30M - 49, 134, 6, 25 - This is a favorite band of mine. You can come here and work DX very easily, and then have a nice long rag chew with a domestic station. It is often open worldwide, especially in the evenings. I have had stations from Australia and Turkey answer my minimal QRP CQ's on this band. Like 40M, this band doesn't seem to change all that much from sunspot minimum to maximum.

I'm out of space for this issue, so I'll have to cover the rest of the HF bands in a future column.

If you can't wait, you can get an idea of how those other HF bands work for minimal QRP now by visiting my web site at <http://www.alltel.net/~johnshan/> or <http://www.qsl.net/k3wwp/>. Or I'll answer any specific questions at [johnshan@alltel.net](mailto:johnshan@alltel.net) or 478 E. High St., Kittanning, PA 16201-1304. Till next time, 73 from K3WWP -30-

---

### Putting a face with the FIST!



*Esther, and her OM Elmer, photo by Stan K4UK*



John gives us an inside look at what it's like to go on a Local Expedition (LEXpedition):

### **Egmont Key Diary**

The Egmont Key expedition started early Saturday morning for me. I got up at 4:40, and met up with Mark and Dee before 6:00 AM to load the last of the supplies into the van for the trip to Anna Maria Island.

We transferred these to the second of two boats, nice, beautiful 33 footers whose captains were hams themselves. Our trip was delayed about a half hour while we worked to help free the first boat, which had run aground in the shallow water. I don't know much about this because I was being used as ballast, but it was a real team accomplishment. The trip seemed to take about 40 minutes, the seas were cooperative, and soon we were approaching the dock by the lighthouse on Egmont Key. This dock is primarily used by the coast guard vessels that service the automated lighthouse. The dock was about four feet above the gunwale of the boats. This made unloading quite an adventure. The park ranger on duty was a great help during the unloading. We unloaded the boat I was on first, and then the second boat. We moved all the supplies to the back of the dock. Again, the park ranger was very helpful, as he had a four wheel all terrain vehicle and a small trailer which we were able to use to transport the supplies to our operating position.

Our location on the island was about 150 feet behind the lighthouse in a partially cleared area surrounded by palm trees with 5 picnic tables. The park ranger informed us that the island was inhabited by turtles, a few black snakes, and poison ivy, but nothing really dangerous. The conditions were primitive. There was no running water, no grills, and the most primitive toilet facilities imaginable. We had to bring all our own water, food, and our own stoves.

We had three stations set up and on the air by noon. These were a ten-meter station using an IC 706 with an as99 vertical antenna, a 20-meter SSB station using a three-element beam, and an IC 706, and a 20-meter CW station using KR4U's

Jupiter and homebrew vertical. The ten-meter station, belonging to Leslie and her husband was used primarily on SSB, but also on CW as conditions warranted. We used paper logging at this station. The CW station also used paper logging. The 20-meter SSB station used computer logging. The rigs were battery powered by deep cycle batteries. We had a small generator along to charge them with.

Conditions were rough, and the interference fierce. 40 meter CW was not viable because of an OK contest. Our antenna set up had to be moved to provide more separation and eliminate interference.

We made a lot of contacts, and we certainly had a lot of people that wanted to work us. We made a lot of contacts, but I know there were also a lot of stations out there that we were not able to work, and I feel bad about it. We operated from noon Saturday to midnight, when all the band shut down on us. For dinner that night, we had hot dogs, and hamburgers along with black coffee.

About 5:00 am, the bands started to open up again, and operations ran hot and heavy, and we were finally making a lot of European contacts. For breakfast, we had blueberry pancakes and sausage, hot sausage for me. Along with plenty of black coffee.

The weather over night had just been beautiful. I slept out under the stars on top of my blanket. We had a very picturesque view of the sky and the starry firmament. We had a light breeze all night. There were few mosquitoes, some ants, and large flying insects that didn't seem to bite, but did land on you at the most unexpected times. I remember operating the 10-meter rig early Sunday morning, watching the sun rise on the lighthouse, and the flags waving in the wind. A truly great moment for Ham Radio, and for me personally.

We operated until noon, as promised, and then packed up. Another park ranger helped us move the equipment to the beach. Because of the tide,

it was decided to load the boats by walking the equipment out into the water on the shoulders of our wet water crew. Last we loaded up the people, and departed Egmont for the trip back to Anna Maria Island. This trip was very beautiful also, and somewhat warmer than the trip out. At the dock, we had to unload both boats, and then transfer all the equipment to the vehicles and the trailer for transport back to St. Pete, where it was gradually unloaded at the qths of the owners.

That concluded the trip. It was a great experience of like-minded individuals pitching in and doing what needed to be done to accomplish a common goal. I was very lucky to be included in this adventure.

Thanks, John KU4BT #6215 (w4gac #7875, w4bpb #8075) ps: w4gac is now a member of the Amateur Radio Lighthouse Society with a number of #706, and we are getting these really cool shirts to commemorate the trip.

## FIRST QSO STORIES

The following are stories shared by FISTS members about their first few QSO's. If you have a First QSO story or an Old Timer Memory to share, send it along to me, Nancy WZ8C. Email is best, so I can just cut and paste it in, but sending it thru the postal service is fine too.

This one is from Dan, K8JWR, and has been printed in 73 Magazine:

The most anticipated present that Christmas of my eighth-grade year was a Red Ryder BB gun, but in a small box (left toward the end, as probably containing only clothes) was a one-transistor AM radio kit -- really little more than a crystal set as I look back on it. In the snow and slush I strung the fifty feet of aerial wire from my bedroom window to the old pear tree, and fell asleep many a January night listening to WSPD, WJR, and CKLW -- usually simultaneously. It was 1957, but I wasn't interested in Buddy Holly or Elvis Presley -- I was absolutely fascinated by the feat of pulling voices out of the air from fifty miles away. It was magic.

Of course, I had grown up listening to The Lone Ranger and Sergeant Preston of the Northwest

Mounties on the superhet in the living room; and by 1954 that had been replaced by a 17-inch black-and-white RCA television. but these were just appliances -- pieces of furniture -- whose innards were no more to be comprehended than those of the bus that took me to school. My little radio had only five or six parts. Maybe I could find out how it worked.

By spring I had read every 'Boy's book of Radio' in the library, but my experiments had led to the demise of my one-transistor radio. Efforts to build my own radio from plans in the Boy's Books were unsuccessful. I remember stripping yards and yards of vinyl-insulated wire left behind when a phone-company truck drove away; somehow I had become convinced that a tuning coil had to be wound with bare wire.

Finally, in desperation, I cracked open my piggy bank and plunked down all eighteen dollars for a Philmore two-tube-plus-rectifier regenerative radio kit, with AM plus 6 to 18 Mc shortwave band (whatever that meant.) The Allied Radio Ocean Hopper and the famous Heathkit AR-3 were available at that time, but we had never heard of them or seen their catalogs -- and the wiley old coot at the radio store was not about to enlighten us. My father and I built that radio on a card table in the kitchen, heating the non-electric soldering iron on the burners of the stove. The directions were mimeographed and ketchy, so I marvel still to think that we got it working first time. I still have the schematic: 12SJ7 regen-detector, 50L6 audio amp, 35Z5 rectifier. Pretty standard layout.

I spent the first week or so listening to the BBC, the Voice of America, and Radio Moscow. Pretty heady stuff, in the days before long-distance telephone calls were common, to hear the commies talking o you direct. But before long, I discovered the ham bands. SSB was just getting started in '57, so there were lots of AM stations to be heard. I started picking up the jargon: QTH, RST, CQ, OM, QRM. It slowly dawned on me that I could become a transmitting 'ham' and that it required knowledge of the Morse code. I made flash cards (quite useless) in an effort to learn it.

In September I started high school, and the school had a radio club. At last, I had some upperclassmen I could talk radio with — and who would send me code practice. By mid November of '57 I was picking up snatches of CW from the 40-meter novice band on that clumsy regenerator. (I still have the SWL log I kept of all my eavesdropping.) Christmas of 1957 was quite a harvest: a Hallicrafters S-38E receiver (4 tubes plus rectifier), an Eico 1000-ohm-per-volt multimeter, and an electric soldering gun. My listening-in took a strong turn away from AM and towards CW as I prepared for my novice test.

The Rev. Alfred Schindler, pastor of St. Catherine's Church, gave me that test on Feb. 15, 1958. I had attended his church and school for years, but had no idea that he was W8OXX. To me, he was the venerable and somewhat distant prelate who officiated up at the altar. I was rather astonished when, instead of giving me the regulation five minutes of text at a measured 5 wpm, he just tapped out eight or ten letters, saw that I was copying it, and announced that I had passed. In the two months it took the FCC to process my license, Dad and I built a Heathkit DX-20 transmitter and strung a 40-meter dipole from the house to the garage. Shortly before the big day, Dad discovered that Joe, W8LNV, lived just two blocks down the street, and he agreed to be my first QSO.

On April 16 the ticket arrived; I was KN8JWR. I called Joe to arrange a QSO, but I hadn't the slightest idea what to say. My fist was shaking so violently, I'm sure my CW was unintelligible. The big problem was finding my frequency on the receiver. Ever time I touched the key, even with both antennas off, there was this big BLATT that blanked out the whole novice band. Eventually, I read Joe sending congratulations and telling me to get off on my own and make a QSO. So, with my hand still trembling, I sent: CQ CQ CQ de KN8JWR, took the receiver off standby, and listened.

The word 'crowded' does not even begin to describe the condition of the 40-meter novice band in 1958, when I got my license. The only thing

that approaches it today is Field Day or Sweepstakes -- but, of course, the CW was slower. I did a little survey of my novice-days' QSLs: two thirds of us were using receivers without crystal filters. The bandwidth was about 6 kHz, so we usually heard at least six stations at once. A common challenge was to set the dial at random and see who could copy three different stations without touching the dial — just by concentration.

In 1958 about 70% of us were using transmitters built from kits, 20% had home brews, and 10% had commercially built rigs. If you could copy a signal report, a name, and a State before the QRM clobbered the guy, it was a good QSO. Postcards were 2 cents (until August, when they went to 3 cents) and if you could get a city and an address through so you could exchange QSLs it was a cause for celebration. If you couldn't get it through, you had to wait until your call appeared in the next year's Call Book to get your QSL; no internet call-sign servers then.

Well, I put out CQs for about ten minutes that first night, and was lucky enough to copy KN9JSK coming back. It took ten minutes to get his State and a signal report (489) through the QRM -- then he was buried in it. I still have the QSL from that first contact -- it's displayed in the top left slot on my bulletin board. I called a few stations and sent a few more CQs, but heard no more replies. Then it was ten o'clock and QRT — school night, you know.

The next day I got on right after school and found the band somewhat less crowded. I had a 50-minute ragchew with Wisconsin, and then worked North Carolina. In a month I had worked 14 States, as far out as Texas. During the next summer break I once got up at 4:30 AM to get away from the QRM, and worked Oregon — the west coast at last!

How can someone of today's generation understand what direct communication over such distances meant to a 14-year old in 1958? I had never been outside the States of Ohio and Michigan. This was way before cell phones and the

internet. It was before direct-distance dialing and satellite relay — Sputnik had gone up less than a year before. I remember Dad with his hand over the mouthpiece of the phone saying, 'It's long distance,' and Mom replying as a matter of course, 'Who died?' In those days long-distance calls were for emergencies only.

That autumn I got my general ticket and began knocking off States for WAS on 20 meters. (I remember my civics teacher's astonishment when I filled in a map with the name of every State in about five minutes: it was a snap — I had worked most of them.) Soon after, I started working a little DX on 15 meters. Any DX was rare then, and pileups for the DX stations were awesome. It was only 13 years after the devastation of WW II in Europe, and I suppose those folks were still struggling for basic necessities, with little time or money left over for hobbies. In January I hooked up the output of an old two-watt phonograph amplifier to the screen-grid of the 6DQ6 final of my DX-20 transmitter and went AM with 32 watts input. (Transmitters were never rated by RF output then.) I had run into a number of local teenage hams by then, and we began congregating on 75-meter phone every day after school — the Teen Net of Toledo, we called it. We formed our own teenage radio club, with perhaps 30 members. Meetings rotated around to members' shacks, and we put on some spectacular Field Day performances.

I'd say it was ham heaven, although I didn't realize it at the time, and I'd give anything to be 15 again, climbing a tree to secure the end of a Field Day antenna at Side Cut Park. 73 de Dan, K8JWR

**First QSO story from Greg WB9MII**  
I received my ticket (WN9MII then) in April of 1973 after a 6 week wait. Rig used was an HT40 tx and SX111 rx and a 40 meter Dipole. 1st QSO was with WB9JNB in Homewood II on 7110 kcs. I had 1 rock to my name and that was OK. Still burning up the aether with an FT817, Lionel J38, and homebrew indoor joystick. Condo hamming can be done and I have a blast.

**First QSO story from Fred NY2V;** I decided to use the ultimate tool - the logbook. I had not remembered that I was so tied up that I actually never made ANY QSO until long after getting my Class B.

I actually operated a Naval Reserve station in the town hall before I ever used a ham rig. School, work & my girlfriend at age 14 were of primary importance. But, with my Navy uncle RMC on temp duty from a battleship to set up that station, I used the tape puller to practice CW, he let me send back what he had copied solid three lines behind on the Mill, and the CW bug bit and gave me a permanent infection.

Log # 1 shows on 1/24/49 I was \*finally\* equipped with an HT-17 with one rock on 3.609 Kc, and a BC-455B rcvr and a long wire antenna (end fed wire, that is all).  
6:30PM CQ "ND"

6:45PM VE3IG "ND Didn't hear me I guess."  
6:50PM W2YIF 599x 599x 7:40PM "He lives hr in town. Ought to be gd!" (he was the guy who let me sit for hours in his shack as he used nothing but CW

1/25/49  
10:50AM CQ "No luck. Lot of QRM."  
5:47 PM CQ "N.D."  
6:37 PM CQ "N.D."

This goes on and on. Finally, on 2/6/49,  
9:08 AM W2YQV X 3.609 579x 589x 7.218 A1  
25w 9:47PM "Name is Dick - Bloomfield, N.J.  
25 watts."

That is when frequent QSOs began, and by that time I had gotten my Les Logan Speed-X bug and was well above 20wpm. Being rock-bound on 7.218 was interesting. I often copied, as did others, using AM, since there was a heterodyne with a big AM foreign BC station on there,

My operating really sank as I moved on in H.S. I went for the Class A via Greyhound bus to Syracuse with a 104 deg fever (flu). Could not finish the exam and got next bus back to Elmira and a hitched ride home to Addison, N.Y. I applied in early '51 for a re-test in Williamsport, Pa. My Class A ticket is dated 3/21/51 but it did not ar-

rive until two months after that - a note is in the log about it.

At that point I had rigged up a VFO and borrowed a 40M command receiver. Began working folks with a "real" window, at low height, and same HT-17. Worked stations on 40 that I have difficulty working today with much more expensive equipment and a lossy all-band wire antenna. Says something about open wire feeders, for one thing.

Some FISTS ops who live in the LA area will be interested I was getting and sending 589s to Anaheim, Ca and to Europe, Asia, and Hawaii. All on 40 CW. My operating - from what I mentioned in previous message timed below until I had become a Junior in H.S. was slim indeed -- more jobs, more late nights with the girlfriend, tougher schoolwork, concerns about what college to apply for. But when I began working what amounted to me as DX, I DID start filling that logbook up, and no longer logged failed CQ's. :- ) AND, we eventually concluded (freq meters were not direct-reading at the time) that my 7.218 xtal was really on 7.219, which explains the 1 Kc heterodyne on AM and many contacts logged with the other station shown as on 7.220. In the message below I found in the log what appeared to be a cross-band QSO. In the excitement, I showed the 80CW freq for the other guy, not the 40M one. :- )

There was no Extra Class at that time, and I waited until the 60s before even seriously thinking of getting one. Code speed for that was 20 wpm. Nice to go back and see reality. The old logs bring back many memories, more than I thought they would. What a great hobby and service. 73 - Fred NY2V

### Need A Spacer or Two?

Do you need spacers for that project? All you need is some old ball point pens. Discard the innards and you are ready to cut the bodies of the pen to size. 73 Ed W2BVK

## FISTS Summer Sprint, 2002 Results

Hello FISTS! Well that was sure a wild ride for all who took part in the Summer Sprint. The bands were off, and the IARU contest made for rough condx. Glad to once again see new FISTS working the Sprints for the first time, welcome and hope to catch you down the logs! 73 Dan, N8IE #4985

Call	QRO Category			Score
	Name	FISTS#	ST	
N1LN	Bruce	3525	Tx	7512
K8CI	Richard	5270	Oh	6402
WB0PYF	Ray	7986	Mo	6210
N9BOR	Mike	4594	Il	6200
K9PL	Phil	6753	Il	6028
K4ORD	Riley	4272	Va	4554
KF3DC	Ken	6521	Md	4510
WA7CS	Carl	4561	Wa	4186
K7LFY	Bob	7866	Ok	4032
KF4HAY	Neal	6204	Ky	2159
WA6PXU	Jim	8802	Ca	2090
WB2FXK	Jack	918	Ny	1955
K3QA	Ronald	1504	Md	1470
K8VFR	Rose	5602	Mi	1300
KG2GL	Tony	5947	Nj	1260
W9KMP	Ken	4626	Il	1155
KD5MJJ	Henry	8180	Tx	1050
K8EIG	Bob	5868	Oh	935
K7ZYV	Carl	3426	Ms	880
KO4OL	Glenn	6583	Ky	640
KD5GRF	Carl	8033	Tx	405
KG9LZ	Tom	5769	Il	280

### QRP Category

Call	Name	FISTS#	ST	Score
K7RE	Brian	8113	Sd	5911
N4ZN	Mike	7306	Ny	4218
W5TVW	Sandy	5144	La	2250
K4YKI	Norman	2166	Ky	2160
WA4CIT	Randy	8280	Nc	1875
KG4IQF	Larry	8454	Ga	210

Call	Club	Name	CLUB Category	FISTS#	ST	Score
NJ2BB	Harry	Battleship New Jersey Amateur Radio Station		8716	Nj	1638
K4FFF	Lou	FISTS Club Of Florida		7000	Fl	1610
W7FST	Steve	Silver State Bugs		5900	Nv	1027
W4MVZ	Mike	Working Class Telegraphy Club/W Central Florida		7600	Fl	440

### SOAPBOX COMMENTS:

#### **Larry Shuman, KG4IQF, Ga FISTS# 8454**

This was my first contest ever. However, I did make a few CW contacts at Field Day this year. The radio I used is an Elecraft K-1 at 5 watts to a Butternut vertical ground mounted. Not an impressive score, but I sure had fun. 73, Larry

#### **Bob Zipfel, K8EIG, Oh FISTS# 5868**

Between a birthday party, a house full of kids, two dogs running in and out of the shack, I did better than I thought I would. Great fun! Will do better in the Fall Sprint!

#### **Mike Reigle, N4ZN, Ny FISTS# 7306**

20 meters was tuff with IARU World Champs going on, but it was still a ton of fun.

#### **Ken Panczyk, W9KMP, Il FISTS# 4626**

The FISTS Sprints are the only contests that I do. This one was as enjoyable as the others. My goal for each Sprint is to have a higher score than the previous one and that was accomplished. The most interesting contact was with NJ6VT, op:Dennis, on board the USS Pamanito because it was my first contact with a submarine.

#### **Neal Benham, KF4HAY, Ky FISTS# 6204**

Well 10 meters was dead again and 15 wasn't much better. I hung in there and did it.

#### **Jack Slocum, WB2FXK, Ny FISTS# 918**

FISTS ops did great in the QRM. Missed a lot of old timers.

#### **Tony Testa, KG2GL, Nj FISTS# 5947**

I enjoyed the Sprint. I wish it was at least 24 hours long. All ops very courteous to us slower operators. Band condx seem to be not in the best shape today. Better propo next fall! Nice to work you Dan.73 Tnx Tony

#### **Norman Smith, K4YKI, Ky FISTS# 2166**

Thanks Dan for all your hard work.

From my perspective, the bands were not very good. 15 meters however was hoppin, but only in the other contest going on and they were everywhere, including the FISTS calling QRG. So I say , "I'll be smart and use 21.158 and see if I can raise a FISTS member". Never got a single beep. Can't understand why others would not try that frequency. 40 meters had marked QSB similier to higher bands. As you can see from the log, I was shutting down from thunderstorms frequently. Despite all this I still had fun flexing the awesome capabilities of my K-1 rig Hi Hi. 73, Norm

**Carl Headrick, KD5GRF, Tx FISTS# 8033**

Heavy QRM from testers, and poor condx. Few new numbers to work, went for the multipliers. C U in Oct. Many thanks and 73

**Mike Zbrozek, W4MVZ, Fl Working Class Telegraphy Club Of West Central Florida, FISTS# 7600**

Where was everybody? Did the IARU contest scare away FISTS? This was the worst contest for W4MVZ, 11 Q's, I finally gave up after 1.5 hours. The bands were open!

**Hank Lesesne, KD5MJJ, Tx FISTS# 8180**

A nice pleasant way to spend the afternoon. I wish more Hams were on the air for the Sprint.

**Ray Myers, WB0PYF, Mo FISTS# 7986**

Had lots of fun. 40 meters was open for a while.

**Riley Dudley, K4ORD, Va FISTS# 4272**

Enjoyed the Sprint even though conditions were poor here, only able to get 3 QSO's on 15, called several that didn't hear me, HI! 73 Riley, K4ORD

**Brian Kassel, K7RE, Sd FISTS# 8113**

IARU contest running concurrent made QRM rough at times, but had a ball anyway from my new QTH in SD. I noted a few other QRP'ers were on as well. Thanks to FISTS Officers for a very fun event.

**Robert Forgey, K7LFY, Ok FISTS# 7866**

Lots of QRM this Sprint but still good event. Band was good on 20 and fair on 15. 10 dead as was 40 this time. Reached some FISTS milestones for me this Sprint: 1000th FIST number, 1210 points, 1651 FISTS QSOs total, and 493 CC #'s. In the Sprint only worked 39 QSO's, 7 new FISTS and 4 new CC#'s. As usual had a good time. Was hoping for a few more QSOs but QRM slowed things down.

**Tom Dolph, KG9LZ, Il FISTS# 5769**

The bands were crowded with the IARU HF Championship, but still I had the pleasure of meeting some new members, especially on 40 meters. Thanks to all who participated. 73, Tom Dolph KG9LZ

**Sandy Blaize, W5TVW, La FISTS# 5144**

Was interrupted by chores that had to be done! Hope to make the next one a solid four hours of operation. Used the little 4 band Elecraft K1 rig with an 80 meter centerfed zipp antenna at 50' fed around 120 feet of 450 ohm ladderline. We are in a rural area on about 1.5 acres around 8 miles SW of Hammond LA Had a lot of fun.

**Bruce Meier, N1LN, Tx FISTS# 3525**

Where was everyone ??? This Sprint was much less active than others across the last two years. Perhaps because of band conditions or because of the IARU Contest. For what ever reason, I only participated for the first two hours - then gave up. Come on everyone - lets try to make the Fall Sprint active with the most participation yet. thanks, Bruce - N1LN

**Glenn Foley, KO4OL, Ky FISTS# 6583**

Very enjoyable contest. I finally learned to hold a frequency, but doubt if I could have done it with computer logging at the time.

## FISTS Fall Sprint, 2002 Results

Hello FISTS! Another fun Sprint has passed. This years Fall Sprint, as in years past, was a great one. The bands were in pretty good shape and lots of folks were on the air.

I want to send a Happy Birthday to Rob, WA0VQY. Rob spent his Birthday working the Fall Sprint. Also, a big attaboy goes out to all the newer members, and the first timers.

Thanks again for sending in your logs and your very kind comments, and remember please send them in even if you only make a few contacts. We all like to hear from you!

73 and hope to catch you down the logs!  
Dan, N8IE FISTS #4985

### QRP Category

Call	Name	FISTS#	ST	Score
W8EQA/7	Daniel	2469	Ut	6187
KD5JWC/M	David	7476	Tx	3520
K4YKI	Norman	2166	Ky	3507
KC8LTL	Ken	6919	Mi	1380
KY7F	Doug	7311	Wy	1328
K4NVJ	Joe	9379	Al	984
WA5ZJK	Glenn	4978	Tx	970
K1KID	Carl	7882	Ma	924
W9ISC	John	3340	Wi	495
K1PDY	Ron	6929	Nh	360
KC2JCA	Jim		Nj	270
KB3CVO	Tom	8110	Pa	180

### CLUB Category

Call	Club Name	FISTS#	ST	Score
K8FST	Fairborn FISTS	9200	Oh	14752
KW7D	Working Class Telegraphy Club	7600	Fl	10980
VA7TRST	Thompson River Amateur Radio Club	7935	BC	6800

### QRO Category

Call	Name	FISTS#	ST	Score
N4BP	Bob	7871	Fl	28934
K4BAI	John	2158	Ga	19656
N9BOR	Mike	4594	Il	18050
WB0B	Larry	2916	Ia	15228
KC0M	Larry	2528	Md	14035
W7DO	Gary	8520	Wa	11340
K7RE	Brian	8113	Sd	11194
N7IF	Steve	3398	Ut	8736
K9PL	Philip	6753	Il	7420
W7SOM	John	9358	Wa	6162
W4DON	Don	3936	Nc	5148
K8LFY	Bill	3032	Mi	4853
WA6PX	Jim	8802	Ca	4807
W6YHM	Don	8635	Ca	4680
KF3DC	Ken	6521	Md	4680
K7ZYV	Carl	3426	Ms	4554
N6QS	David	3594	Ca	4425
K7LFY	Bob	7866	Ok	4280
K8FN	Bob	2455	Oh	4071
KC2JHP	Timothy	9240	Ny	3740
HP1AC	Cam	4319	Panama	3425
KG6ZR	Len	9294	Va	3150
K3QA	Ronald	1504	Md	3124
K1DVA	Roland	9318	Nm	2840
K4ZZT	Fred	8596	Va	2565
KD5MJJ	Henry	8180	Tx	2508
W2KFQ	Harry	9322	Nm	2329
K8NVREd		7957	Oh	2184
W9UQB	Michael	3687	Az	2159
AC7QG	Paul	8697	Id	2088
N1PT	Dave	2560	Nh	2040
WB2FXK	Jack	918	Ny	1500
K2SHN	John	9357	Ny	1350
KG9LZ	Thomas	5769	Il	1300
W9KMP	Ken	4626	Il	1155
KD5GRF	Carl	8033	Tx	975
KO4OL	Glenn	6583	Ky	900
WA0VQY	Rob	3346	Ia	780
K8EIG	Bob	5868	Oh	600
N0IBT	Dave	3987	Co	440
K7WF	Stu	1493	Wa	315
WO8E	Irene	656	Mi	180
K6KF	Jun	9117	Ca	180



## **Fall Sprint Soapbox**

**Irene Kott, WO8E**, Mi FISTS# 656 Great fun. Can't believe how fast the time went. FISTS really are the nicest people.

**Don Eberlein, W6YHM**, Ca FISTS# 8635 Unable to operate full period and only worked the one band, but did manage to add a couple to the log for the Anniv. award.

**John Cross, W7SOM**, Wa FISTS# 9358 First time I have ever entered any contest.

**William Skofic, K8FLY**, Mi FISTS# 3032 My first Sprint in a couple of years, was fun, but takes the poop out of my sails in a hurry HA. Also did C2C for W8FFF. Tnx for your time contributed to helping FISTS Club.

**Ken Panczyk, W9KMP**, Il FISTS# 4626 I had a great time making my best score ever.

**Mike Zbrozek, W4MVZ**, Fl FISTS# 7600 Busy start, lot of ops (many new calls). Near the end it was difficult finding new contacts. 15M was very busy during the contest. At the end a thunderstorm was approaching, good time to QRT!

**Ronald Hill, K3QA**, Md FISTS# 1504 Nice that 15M was open. Opportunity to work more FISTS members and states.

**Jim Hershey, KC2JCA**, Nj This was my first Sprint ever!! So much fun that I can't wait until Februray for the next one! I'm running only 1 watt on an old HW-8.

**Glenn Rogers, WA5ZJK**, Tx FISTS# 4978 Decided to try my FT-817 and work QRP. It was a lot of fun. Thanks to all the ops who were able to handle my slow fist and QRP signal.

**John Pituley, K2SHN**, Ny FISTS# 9357 XYL said "It's over already?" she was smiling!

**Daniel Farwell, W8WQA/7**, Ut FISTS# 2469 Fun Sprint, first QRP effort. Rig, Elecraft K-2 at 5 watts.

**Henry Lesesne, KD5MJJ**, Tx FISTS# 8180 Very relaxed and what courtesy!

**Larry Burchett, KC0M**, Md FISTS# 2528 I really missed the VE's this year but did work a lot of new FISTS members.

**Dave Haas, N1PT**, Nh FISTS# 2560 I especialy enjoyed working the QRP stations. Having a contest that is relaxing so you can spend the extra time to dig them out is good. Also heard lots of stations working the Pennsylvania QSO Party.

**Stu Farmer, K7WF**, Wa FISTS# 1493 Sorry, no time to compete. Just wanted to give others my State.

**Timothy Klint, KC2JHP**, Ny FISTS# 9240 My first Sprint. Had a lot of fun! Sure worn out after all that hunting, but it was worth it.

**Harry Antenucci, W2KFQ**, Nm FISTS# 9322 My first Sprint and had a great time. Pace was

excellent. Although I did not set the world on fire I found out I could do more than I thought. So that makes me a winner!

**Jack Slocum, WB2FXK**, Ny FISTS# 918 Sure sounded like everyone having FB time. At least last hour. I had out of town relatives come and go out for lunch etc. Got back for the last hour, then didn't know enough to stop at 2100Z. HI Tnx to K9FO telling me Sprint over. Sure a lot of states on, out of 20 QSOs, had 15 states. One of these Sprints I will be on for the full 4 hours, I hope. HI HI

**Carl Bredberg, K1KID**, Ma FISTS# 7882 This is my first ever contest. Nothing like a contest to find all your weak points. Learned more today than in a couple of years of casual QSO's. GREAT FUN. Looking forward to the next Sprint and maybe some other contests as well. Glad I got my feet wet on this one. Rig is an Elecraft K-2, antenna is a Carolina Windom.

**Mike Dinelli, N9BOR**, Il FISTS# 4594 Suggest QRO class be limited to 200-watts.

**Robin Formaker, WA0VQY**, Ia FISTS# 3346 I don't usually send in logs, but understand you'd like to get them even if only a few contacts are represented. Accordingly, my paper log is enclosed. All contacts were made using my Speed-X straight key which I've had since I was 12 years old. I'm 48 today. Time flies when you're having fun.

**Alan Tanner, K8FST**, Oh FISTS# 9200 Great fun. Need more participation.

**David Larus, N6QS**, Ca FISTS# 3594 My performance on this Sprint was relatively dismal compared to other Sprints I've worked. I did manage to pick up a FISTS contact for UT and NV, which completed my requirements for FISTS WAS. This made the whole adventure worthwhile. As usual, I had a lot of fun working all those courteous FISTS members. Everyone was great! Not like those other contests where rudeness seems to be a prerequisite. Thank you Dan, for taking the time to process my log. We all appreciate the time you donate towards the Sprint. Without folks like you, FISTS wouldn't be the best Amateur Radio club in the world! Keep up the FB work OM!

**Donald Summers, W4DON**, Nc FISTS# 3936 Conditions were fair to good at times.

**Larry Newby, WB0B**, Ia FISTS# 2916 Good turn out for the Sprint. Signals were good stateside but only a few DX worked. Will start on time and listen more carefully for the DX FISTS next Sprint.

**Jun Matsuya, K6KF**, Ca FISTS# 9117 This is my first participation of the sprint contest.

**Tom Dolph, KG9LZ**, Il FISTS# 5769 As usual, the Sprint was exciting and a lot of fun. My strategy was Search & Pounce. Conditions were fine. Thanks to everyone I worked, and best wishes to you in the Winter 2002 Fists Sprint.

**John Noakes, VA7TRS**, British Columbia, Canada FISTS# 7935 Great fun in the Sprint on the "maiden voyage" with the Club call sign and new FISTS number!7

## FISTS AWARDS

By Dennis K6DF, Awards Manager

As you can see by the long list of awards at the end of this column, there have been quite a number of FISTS awards issued these last few months. Several more 15th Anniversary 150 and 300 award logs have been received as well. Congratulations to all.

Listening around on the bands showed many members were very active throughout this last year making contacts and friends. It was nice to hear club activity on frequencies other than the .058 freqs, as those tend to get rather crowded. Hopefully all this activity will produce more Rag Chewers Awards in the near future.

The following information about logs has been printed here before, but I'm repeating it, as I am still receiving logs without duplicate ("dupe") check sheets.

Regarding logs sent via e-mail: Please DO NOT send any scanned images of your log sheets to me via e-mail. The attached files are too large and dupe checking them is very difficult.

The only files I will accept via e-mail are; text files, Excel files, and Microsoft Word files.

When you send your log in as a Word or Excel file, DO NOT paste into the Word or Excel document any scanned images of your log sheets. Word or Excel files that contain scanned images of your log will be rejected.

Any files sent via e-mail must contain editable text.

### NEW AWARD LOG REQUIREMENTS...

Starting October 1st, 2002, all handwritten "paper" logs of over 100 contacts being submitted

for awards will need to have a "dupe" sheet attached with the log. A simple "dupe" sheet is explained in the next section below. It is very easy to construct and will allow you to make sure your award log has been properly checked for "Duplicate" FISTS numbers or CC numbers before it is submitted. Paper logs received without a Dupe check sheet will be returned to the sender unprocessed.

If you are printing your award log from a computer, please:

Sort your log by FISTS number for Century awards.

Sort your log by CC number for Platinum awards.

Above all, check your award log for duplicate numbers.

Award logs sent by e-mail attachment need not have a "dupe" sheet as I can sort and dupe-check them in an instant. This does not release you from the responsibility of dupe-checking your electronically submitted log. Several logs sent via e-mail have been rejected because of an over abundance of duplicate numbers.

I try to maintain a fast turn around for awards. This means that your award will be mailed to you within a day or two of my receipt of your log . . . provided that your log contains all the required data and does not have too many dupes.

### A word about award logs.

There have been a number of requests asking how to dupe-check a paper log. I know that checking your paper logs for duplicate contacts can be a formidable task. Here is a simple way to do this without using a computer . . .

Take a blank piece of 8.5 by 11 paper and turn it sideways so that the long side is at the top. Write the numbers 1 through 9 along the top edge of the paper spreading them out so you have plenty of room between each number.

Now, go through your award log and write the FISTS number for each QSO under the numbered column that corresponds with the first number of each FISTS number. Each time you enter a new number in a column check down through that column to see if that FISTS number has been previously entered. If it has, then it is a dupe and should NOT be used for your Award Log. Once you have deleted all duplicate contacts from your log, add up all the points from the valid contacts and list your total points on your log.

Once you have made a dupe check sheet like the one above, you can use it as you make FISTS QSO's to keep track of which numbers are new and should be added to your award log.

You may apply for awards via e-mail by attaching your award log in one of the following formats only: Excel, Word, or a plain text file. Please DO NOT send any formatted files. By this I mean, do not highlight text or use color text, borders, tables, etc. The Awards e-mail Address is: [FISTS AWARDS@attbi.com](mailto:FISTS AWARDS@attbi.com) Feel free to send questions about awards to this address as well.

When applying for the "Century" awards, (Basic Century, Silver, Gold and Diamond) please include a point column in your log as these awards run on a point system . 1 point for contacts in your own country, 2 points for DX contact, and 3 points for working a FISTS affiliated club station.

The Platinum series awards, (Platinum, Platinum 250, and Platinum 500) DO NOT run on the point system. Platinum awards go by the number of Century Club (CC) numbers collected via on the air QSO's with FISTS member stations. A CC number may only be used once for Platinum series awards. Example: You earn your Platinum award (100 different CC numbers), you then may add to that award total, 150 more "different" CC numbers to obtain your Platinum 250 award. Same applies for the Platinum 500 award, simply add 250 more "different" CC numbers to your 250 award.

#### Basic Century (CC)

AC5PS  
AE4CU  
AE6EG  
AL1F  
DF2YJ  
G4UIQ  
JA2DNA  
JR0QWW  
K0FL  
K2SHN  
K4ZZT  
K8MW  
KB1DSB  
KE9GM  
KF0QS  
KG4VLC  
KG6ZR  
KI8JM  
M0DRK  
N4ACF  
N4GE  
N5FFF  
RX3AP  
VA3BWT  
VA7TRS  
W0CGV  
W2HTI  
W4MOW  
W7PXL  
W8NOT  
WA5PQL  
ZL1BLR

#### Silver Century

AC7QG  
G3VQO  
K3WWP  
K8NVR  
KC2JHP  
N2APQ  
VA3BWT  
VE7NI  
W1ZOO  
W3JGS  
W3ZMN  
W7PFZ  
WA2YMX  
WB9WZN  
WY7W

#### Gold Century

G3VQO  
G4ZIB  
K3WWP  
K8NVR  
K9XL  
N2APQ  
NS3E  
W3HK  
W5AJX  
W7PFZ  
WB5KHC  
WB9WZN

#### Diamond Century

K3WWP  
KC2AFK  
NS3E  
PA3AFF  
W4FCR

**1 X QRP Award**  
WA5PQL

**Mobile Award**  
WA5PQL

**Platinum Award**

AC7QG  
DL2JAW  
G3VQO  
K8NVR  
KC2JHP  
N2APQ  
VA3BWT  
W3JGS  
W3ZMN  
WA2YMX  
WA5SOJ  
WY7W  
ZL1BRS

**WAS Award**

AC7QG  
K0EVE  
K8CI  
K9XL  
KA9DVX  
KD5GRF  
KN9X  
N3RSD  
N6QS  
UA6JD  
VE1VEI  
W5AJX  
W7PFZ  
WB5KHC  
WB8NMK  
WD8OCV  
WU3H

**2 X QRP Award**  
K9JXW

**Platinum 250 Award**

KG9LZ  
N2APQ  
PA3AFF  
W5AJX  
WB8NMK

**Platinum 500 Award**

G3KYF  
K6DF  
W1GUE  
W6DDB

**RCC Award**

AC7QG  
K9PL  
KE6OIO  
WA1ZCB

**15th Ann 150 Award**

AC7QG  
K6DF  
K8NVR  
K9PL  
N2APQ  
N3RSD  
W3JGS  
W5AJX

**15th Ann 300 Award**

K2SB  
K4UK  
WB0PYF

---

**Starting Jan 1, 2003, the Country Club Calls (GX0IPX, UK, FISTS #1; ZL6FF, NZ, FISTS #9600, and KC8VIO, USA, #10,000 (vanity pending) will be worth FIVE points toward your Century Series awards. If you have already turned in your logs for these awards you CANNOT go back and retroactively claim the extra 2 points. If you have NOT sent in your log, you may count a contact with these stations made in 2003 in lieu of one made previously, and claim the five points.**

**Late breaking note - this came in just as I was closing this issue up....Stans' Fuse Problem....**

I just finished reading the December issue of the **Keynote**. Stan, in his article, goes to great length to describe his fuse-blowing problem in his mobile station. In that article he describes the fuses. The description he gives for the 12 amp fuse in the cigarette plug feeding his rig matches the description of a "SLOW-BLOW" (time delay) fuse. The 20 amp fuse that he's blowing in the vehicle's fuse bank is a "FAST-BLOW" (non-time-delay) type fuse (standard practice in most vehicles). A 12 amp time-delay fuse will withstand 20-30 and even 40 amp peaks with no problem, as long as the surges are of short duration. On the other hand, a 20 amp non-time-delay fuse will blow very quickly the first time it sees much over 20 amps.

Stan suggested that he was able to run his rig from the rear 12v outlet in his car Vs the front outlet. It is likely that this outlet is fed with slightly larger wire due to it's distance from the battery and fuse box and it's possible that the front outlet may not be fed with 20 AWG wire (recommended for 20 amps), causing a possible voltage and current rise not present at the rear source.

Stan mentions running his mobile phone from the front plug without a problem, but a phone is only a minimal load. His Scout, at 40 watts, if drawing near 20 amps, will require a far better power connection than the lighter plug can supply. Stan mentioned the plug itself was getting hot. There is a poor connection for a 20 amp draw inside the plug itself. The heat he spoke of is generated by the voltage drop at this poor connection; the same voltage drop that causes a current rise of just enough to blow that 20 amp fuse. Indeed, it seems Stan has found the solution though, mentioning that he's run power directly from the battery, the only way to go in a mobile situation. I've run 100 Watts CW and SSB mobile for years now and have wired several new vehicles and boats for mobile operation, keeping all the wires hidden and striving for a clean look in the vehicle/boat. I have always run power directly from the battery, via 30 amp wire (#10 AWG), to do otherwise is to invite RFI and voltage problems

# FISTS CW CLUB "DOWN UNDER" Newsletter - January 2003

Editor & QSL Manager for ZL: Nigel Hardy, ZL2TX, 20 Greenwood Boulevard, R D 1, Otaki 5560, New Zealand Tel: 0-6-364-5202  
e-mail: [zl2tx@ianz.co.nz](mailto:zl2tx@ianz.co.nz) Newsletter Distributor/QSL Manager for VK: Chris Thompson, VK2MQX, 350a, Old Windsor Road, Old Toongabbie, N.S.W. 2146, Australia. Tel: 0061-2-9636-7730 e-mail: [vk2chris@optushome.com.au](mailto:vk2chris@optushome.com.au)  
Membership/Awards Liaison: Ralph Sutton, ZL2AOH, 12c Herbert Gardens, 186 The Terrace, Wellington 6001, New Zealand Tel: 0-4-473-0847  
Fax 0-4-473-0848 e-mail: [zl2aoh@ihug.co.nz](mailto:zl2aoh@ihug.co.nz) Visit our Web Site : <http://listsdownunder.morsekeys.com>.

## WE BEGIN A NEW YEAR

Here we are back again, to start a new year. Many thanks to all those who sent seasonal greetings during our break. We haven't been idle since our last issue, as the content of this issue of FISTS Down Under will reveal. We wish you and yours a very Happy New Year, Plenty of DX And of course lots of FISTS Contacts !

### Suggested Calling Frequencies

(160M) - 1.808MHz, (80M) - 3.528MHz, (40M) - 7.028MHz, (30M) - 10.118MHz, (20M) - 14.058MHz, (17M) - 18.085MHz, (15M) - 21.058MHz, (12M) - 24.918MHz, (10M) - 28.058MHz Novice - Sub Bands: (15M) - 21.158MHz, (10M) - 28.158MHz.

**NEW MEMBERS** A warm welcome to our 9 - yes **NINE** new members, who joined us in November and December 2002.

*Surely this is a record for VK /ZL new members - keep it up!*

**ZL2MUI - Bob Badrick # FISTS 9090**, from Silverstream, Upper Hutt. Bob writes about himself:- Born 1.1.1939 in Watford, England.

Married to Sheila in 1959, we have three children, 2 sons and a daughter. Five grandchildren. Enlisted in the Royal Corps of Signals in 1956, where I was trained as a telegraphist. Served 2 years in Cyprus during the Evko Crisis. I had some various attachments. My main task was working the Army radio links to Bahrain Tripoli, Benghazi, Amman and once to Malta. In 1959, I closed Benghazi down for the last time. So all Radio links ceased, as far as I was concerned prior to May 1959. Some years later I joined, as a reservist, a Special Comms unit, which was associated with the DWS. I also became a parachutist with that unit, and am still in contact with some of the members. In 1966, I joined the Hertfordshire Constabulary, where I served for 7 seven years, before transferring to New Zealand Police which I served in for 8 years. Until February this year, when I had to retire through ill health, I worked for the BNZ as an Investigator. A conversation that occurred in the Trax Bar, Wellington in 1996, urged me to get my Licence. A friend of mine who was a Techno said, " I am going to get my Ham's ticket". Being a bit smart. I said, " Why? You have a cell phone". "No", he replied. "Its to work Morse". Ah, I thought why don't I get my Licence. So in 1997 I got my ticket. Now I am back on the air and enjoying my CW again.

**VK2IAU - John Cowell # FISTS 9091**, from Mount Pritchard, New South Wales. John writes that he was born in England in 1939 and is now retired (or mostly "tired" he says). He works most HF bands from his home QTH, as well as maritime and land marine mobile and also portable. He is also interested in the Internet Morse net MORSENET1. (See the item on this elsewhere, in this version of FISTS Down Under). In addition to FISTS, John also is a member of the WIA, CW Operators QRP Group and a former member of the "G" Radio Club. He wishes all members 73 and hopes to meet you all on the air.

**ZL2OB - Des O'Brien # FISTS 9092**, comes from Fielding in the heart of the Manawatu. Coincidentally with Bevan's report on the Morsecodians below, Des has an interest in vintage telegraph equipment.

He writes:- " I have a lot of interest in some of the old history, and am trying to obtain a Morse Key out of a Fire Alarm box in the States. These were used in the days before Radio, to seek assistance. I'm busy at the moment learning sounder Morse. I have made up a circuit that converts the rig audio out, to drive a sounder, very fascinating to see in action. (Take note ZL2BBB and ZL2DB - Ed). I am slowly getting to grips with CW QSO's, it is not so easy, when you take it up at 69.

I linked up with some chaps on 80 metres last week; in fact I was copying them with a sounder. They are on Monday and Thursday at 19.30 N.Z.D.T. on 3.5602 MHz and have invited me to join in. I really developed my CW interests and skills through the Waipiro Net. While I was studying for the ticket, I used to listen most days on an FRG7 to the Waipiro CW and when I went on the air, Johnny Johnson, invited me to join the Net and eventually to send CW. I must compliment Jack, ZL1IG # 9043, who makes sure you get it right, in every respect, including procedures. My main goal now is to be able to do it off the top of my head, practice, plus getting over the nerves. What nerves? People at our age shouldn't have them!

**ZL2AJB - Leo Hodge # FISTS 9093**, hails from Palmerston North, also in the Manawatu, is our second member from this region. We hope to receive word on Leo's activities for a later issue of "Down Under".

**ZL1AIH - Ken McCormack # FISTS 9094** lives at Waimauku, just north of Auckland, in wine growing territory. Ken says that he was first licensed in October 1951 (aged 16) with his current call, ZL1AIH. He obtained his 1st PMG certificate in May 1953, starting as second operator in the TSS 'Paparoo' the following month. His seagoing career involved many ships. His last seagoing appointment was to an oil-rig in 1988. In 2000 he retired to a lifestyle block (antenna farm) at Waimauku. His interests include CW contests, antennas, home-brew gear and beer. He has also held the calls C21KM, H44KM, 3D2KM.

**ZL1AJ - Jack Culloty # FISTS 9095** joins us from R.D.5 Te Awamutu. Jack has been retired a few years from a career involving electronics in the wartime air force and in the public service afterwards. He is a keen contesteer. We hope to include Jack's story later as one of our featured member biographies.

**ZL1AOM - Malcolm Brown # FISTS 9096**, also from Te Awamutu. There must be something in the water up there.

**ZL1PJB - Peter Buckingham # FISTS 9097**, hails from Ngongotaha, near Rotorua. He includes a few notes about himself - Had my full ticket around 10 years or so and was ok chatting to friends etc on CW, but as the years ticked by so has the confidence. I was with a group called the "Brass-Pounders" when I lived down in Christchurch years ago, but I think they have faded away with time, as I haven't heard anyone mention them. I was away from radio for a few years, sold a lot of my gear to friends etc, but since I moved up here a couple of years ago, my interest has rekindled in CW.

I bought all the gear and stuck up a tri-bander and downloaded a Morse programme and got back into it. I can read around 20wpm if there is a slight gap bigger than normal; it gives the brain in this guy time to think. BUT I have noticed that when I try to

read on the air, a lot of times people are using straight keys and I can't make head or tail of what they are sending MOST of the time. I CAN read 20wpm, sent by a good hand or electronic keyer as mine is, and I copy for a while until the brain gets overloaded and I fall behind and I'm stuffed for a short time. I think I am so used to the computer generated Morse that it is causing some of the difficulty in copying? It's time for a change, I think so here I am hoping to contact the guys who may recognize some of the symptoms and don't mind helping someone get back into the swing of things. I haven't heard any Rotorua stations (in the 2 years I been here) on HF. I thought of joining and find out what is happening in the land of CW and try to make a go of it now. *We hope to assist you Pete, in gaining confidence and proficiency. To contact Pete, please refer to the FDU membership list*

**ZL1BEG** - Ken Begg # Fists 9098 is from Northcote, Auckland. That's the place, that anchors the northern end of the Auckland Harbour Bridge, not far from the Viaduct Basin, where the America's Cup Yacht's are based. I bet you've been down there to have a look! Look forward to more on your activities Ken!

### DOWN UNDER MEMBERS' NEWS

**ZL2AOH-Ralph-#1073** was planning to make a few FISTS contacts on Halloween. He tuned into 20 metres and noted that there were some good strong signals emanating from the eastern USA. Moving to 14.058 MHz he discovered that **AK7O-Jack-#5019** (Salt Lake City, UT) and **K2SHN-John-9357** (Rochester NY) were well ensconced on frequency and were exchanging such information as the comparison between performance on keyers. John's Bencher keying had Jack's in ecstatic admiration, while Jack explained that his great Morse was produced by a KAM Plus running under HostMaster. Then there was an exchange of family matters, progress to CC and various trivia. After over half an hour **Syd-ZL1BRS** came up on frequency and we exchanged commiserations. They obviously didn't hear us as the QSO went on for some considerable time after that. From his number John is a relatively new member but Jack should certainly know better than to monopolise the calling frequency ragchewing. By the time this long exchange had finished, band conditions had deteriorated. Perhaps people have forgotten the courtesy and art of moving elsewhere if the QSO looks like developing into a lengthy ragchew.

Following the e-mail distribution of a report on the centennial of the Pacific cable, **VK4BCM-Bevan-#9053** wrote that he had located the Morsecodian Society, a group of enthusiasts who, inter alia, are preserving the old transmission sounder mode by the use of telephone lines. He reported later that he had followed up on the "Morsecodian Fraternity".

I was invited to attend their Wednesday get together at the Telstra Museum, Brisbane. It is a group of mostly past employees of Telstra/Telecom/AP&T. They have a fantastic collection of working equipment consisting of exchanges, telephones, Morse circuits, teleprinters, Murray paper tape machines and other pieces that are really old and in perfect working condition. Much of the equipment is similar to that which was used in the NZPO. There are some dedicated members there who restore and service the equipment etc. Of course the Morse circuits are with sounders. However an oscillator is set up to demonstrate the difference to visitors.

The Morsecodian Society has a daily net on 7028 at 0745Z for those members who are also licensed Amateurs. Anyone is welcome to join in. They have a strong membership.

For the fair dinkum telegraphists who love the medium, communication is established by using modified modems that they

have rigged up in their homes and have them connected to their telephone lines. When they wish to exchange Morse sounder messages they simply ring each other, make contact, switch the modem in, and converse by telegraphic sounders. Talk about dedication! Who said Morse will fade away? Never!

On the same topic, **ZL2BCW-Mike-#9079** wrote: The first link came across from Rose Bay Sydney in 1876, which in itself is remarkable since the very first Morse message ever, at the great distance of 30 miles or so was in 1844. People make a lot of fuss about the spread of The Internet spread, but it was fairly slow and the underlying infrastructure was already built, it was only the coms protocol that changed. Building the long overland lines was difficult enough, but the undersea cable laying was something else. It's regarded as difficult and dangerous today, it must have been pretty terrifying then, even if they didn't understand all the issues to begin with.

**VK6JRB - John Blake # 9054**, writes that he has purchased a new home in Willetton, West Australia. By the time you read this he should have moved and hopes to set up a proper shack on a permanent basis. No more landlords with antenna restrictions to worry about.

The Straight Key Night organised by **ZL1DD-Barry-#9029** on 3 November 2002 went off successfully. The hills were alive with the sound of hand generated Morse. Obviously some participants had long put away their hand keys and were a bit rusty, but everyone had a great time. Not being a contest, per se, there was time to stop and exchange pleasantries as well as the required exchange. FISTS members heard were: **VK4BCM-Bevan-#9053**, **ZL1DD-Barry-9029**, **ZL1MH-Mike-#9038**, **ZL1MK-Don-#9079**, **ZL1PC-Paul-#9073**, **ZL1RX-Roger-#9084**, **ZL2ACJ-Craig-#9063**, **ZL2AOH-Ralph-#1073**, **ZL2AVL-Bill-#9033**, **ZL2BBB-David-#9067**, **ZL2BCW-Mike-#9079** and **ZL2CD-Bill-#9004**. If you were there and you aren't listed, sorry, but we didn't hear you. There were lots of prospective FISTS members out there who are going to be encouraged to join. Many thanks for donations received from **VK2ET - Alex-#9056**, **ZL2BPE-Keith - # 9024**, **ZL4PO Lester - # 9044**, and **ZL2ASQ Eric - #9041**.

### OVERSEAS MEMBERS NEWS

**ZL2AOH-Ralph-#1073**, in his capacity as QSL manager for **ZL6QH** received a letter from **EI7GW-Joe-#8938** who wrote: ...this was my sixth QSO to ZL this year. In my ten years in amateur radio I never had any luck to QSO with ZL until April last year, so feel I have now broken the ice in doing so. I have had only three QSOs with VK this year, two were on the FISTS 20 metre frequency. I was a maritime operator from 1961 to 1983 in UK ships and spent 10 years on ships to VK/ZL; mostly to ZL. So I had a super time visiting ZL at all its ports with the exception of Picton. However I went on a day trip there in the Cook Strait ferries.

**AA1SU - Paul # 4028**, sent this message : **Congratulations to our own Nancy Kott, WZ8C (FISTS # 0379)**, the North American FISTS Co-ordinator, on her new job as the new editor of "World Radio" magazine! We have no doubt that she will do a wonderful job, as she does with editing the (North American) Keynote. She will still be the editor of Keynote, which of course is a relief to all of us. Good Luck Nancy in your new career! —*Best wishes for you in the new job from us all Down Under also, Nancy!* To find out all about "World Radio" magazine , check their Web Site

[www.wr6wr.com](http://www.wr6wr.com) <<http://www.wr6wr.com>>

### REPRISE

In the October 2000 FISTS Down Under we reported on a meeting between **ZL2AOH-Ralph-#1073** and **2EOBGD-Brian-#7741**.

The following is an extract from "RADCOM", the journal of the Radio Society of Great Britain, December 2002. The "RADCOM" article, reproduced the picture of the meeting that

had appeared in our "Down Under" article. (The following will be of interest to many of our new members - Ed)

**Newcomers' News.** News and Comment from and for Amateur Radio's Newcomers. Compiled by Steve Hartley, G0FUW

### NEWCOMERS IN RETIREMENT

Much of the thrust behind bringing newcomers into the hobby is, quite rightly, focused on youngsters. The hobby and the electronics industry need new blood. However, many of the new licence holders are taking to the bands in retirement, usually after a long apprenticeship of short wave listening. Two such amateurs met up recently for a face-to-face chat. Nothing particularly remarkable in that, you might say, but when they live on opposite sides of the globe that starts to show the worldwide friendships that can come out of amateur radio! Ralph Sutton grew up in England but has lived in New Zealand since 1947 and despite having keen interest in the short-wave bands and working in telecommunications he never had the time to take up amateur radioing a big way. However, his retirement present to himself was an amateur radio licence and ZL2AOH was on the air. Ralph joined the Wellington Amateur Radio Club and has been an active CW operator. So much so that he joined the FISTS club, who devote themselves to Morse code communication. Before making a return visit to UK earlier this year, Ralph used the FISTS membership list to find out if there were any like-minded amateurs near where he was to visit. One of those the search threw up was Brian Davis, 2E0BGD. Brian was one of my newcomers in 2000 and he too decided togged himself a transmitting licence after retiring from local government work - his 'millennium project' he called it. Brian is now committed CW operator and member of FISTS. Anyway, Ralph and Brian met one sunny afternoon in Bath and I was able to join them for a while. It was fascinating to listen to the two 'newcomers' comparing notes and seeing how two individuals from opposite sides of the world had so much in common. During his visit Ralph also visited the Trowbridge and District Amateur Radio Club and met many of the members there. Ralph did make us all rather jealous with pictures of the club station, located at an ex-broadcast site, complete with twin feeders about 1km long from one of the huge antennas.

### THE JURY IS STILL OUT!

The following article is not related to Morse, but it is a health topic in which all radio amateurs should have an interest. We think there are a few inaccuracies in the text, but these do not diminish the importance of the issues discussed.

*Are mobiles bad for your health? asks an article in Head Lines, the journal of the NZ Neurological Foundation, October 2002*  
**New brain tumour alert on mobiles**

A study of 1,617 Swedish patients with brain tumours between 1997 and 2000 found that those who used analogue mobile phones had a third higher risk of developing brain tumours than those who had not used cellphones.

The risk of a tumour was particularly high on the side of the brain close to where the phone was usually held, the authors of the study said. The report, published in the European Journal of Cancer Prevention, warned that for people who used the analogue cellphones for more than 10 years the risk was 80% greater. However the implications for New Zealand mobile phone users are not clear. The Swedish patients all used analogue mobile phones that operated on the NMT standard. NZ analogue mobiles, replaced in the late 1990s by digital GSM handsets, used a system which tended to have a shorter range. Nevertheless, it will add to concerns that many of the

long-term health effects of mobile phones remain unknown. The Swedish study, published in August, said it had found "an increased risk of brain tumours among users of analogue cellular telephones." It added that it found no increased risk for digital cellular phones - those sold nowadays - nor for cordless phones.

But Prof. Kjell Hansson Mild, who led the study, said it was too early to draw conclusions on the digital GSM mobiles. "Nothing can be said about GSM at this stage," said Prof. Hansson Mild of the National Institute for Working Life in Stockholm. He added: "These are tumours that develop very slowly and GSM does not have users who have been using it for 10 years." Nokia, which still makes NMT phones, sold mainly in Africa, said that scores of other studies conducted on the health effects of mobile phones showed no evidence of health hazards. A spokesman said: "There have been close to 200 studies on different areas of mobile phones and in the light of these and the way scientific evidence is, there is no health risk in using mobile phones." A spokesman for Ericsson, which used to make NMT handsets, said: "The study and the conclusions it reaches differs from at least three other studies in the past. None of these studies found a connection between mobile phones and cancer."

Sir William Stewart who chairs a UK government group on mobile phones, found no provable health risk in his study but he called for more work to be done and urged caution over the use of mobile phones, particularly by children, until more was known about their impact on health. Over two million people in New Zealand use mobile phones. As recently as June a study found that normal levels of mobile phone radiation had a biological effect on human brain cells, damaging the blood-brain barrier.

### BREAK IN

In his "Morseman" column of the November/December 2002 edition of Break In, ZL1AN-Gary-#9009 writes of the steady growth in membership achieved by our club since the ZL/VK chapter was established in 1998. Also in the same edition, ZL2BBB-David-#9067 writes about the Wigram key that was made as a trade training exercise at the Wigram Electrical and Wireless school during WW2. ZL1DD-Barry-#9029, contributes a report on the 2001 Straight Key night. We look forward to his report on the 2002 event.

If any of our readers who do not see Break In would like an e-mail copy of any or all of these articles, please send a message to zl2aoh@ihug.co.nz <mailto:zl2aoh@ihug.co.nz> Break In is the bi-monthly journal of the NZART.

### INSPECTOR MORSE LIVES ON

We came across the interesting web site of a fellow organisation, Grupo Argentino de Radiotelegrafia - GACW. The text is naturally mainly in Spanish but there are sections in English. You can even play the "Inspector Morse" theme music while visiting the site. Go to <<http://gacw.no-ip.org/>>

Alberto Silvo LU1DZ the GACW co-ordinator sends greetings. He says he knows about FISTS very well and that his organisation is trying to do the same job in the Latin world.

Incidentally, TV One is re-broadcasting episodes of the "Inspector Morse" series late-late on Saturday nights, running into the wee hours of Sunday morning. If you are not an insomniac, set the video recorder, re-play at a civilised hour and enjoy.

### HAPPY HOLIDAYS!

(note from Nancy WZ8C - sorry I had to squish this but I am limited to 32 pages this month and didn't want to cut more than I had to, so I removed some spacing)



International Morse Preservation Society



# KEY NOTE



Sec: E. (Geo) Longden, G3ZQS. 119 Cemetery Rd., DARWEN, BB3 2LZ, England. 01254-703948  
http://www.asel.demon.co.uk/fists-hq/ http://www.fistsdownunder.morsekeys.com  
E-Mail HQ: fist1@btinternet.com webmaster: webmaster@asel.demon.co.uk

**OFFICES**

**QSL Manager: M0AVW**  
32 Woodford Walk, Harewood Park, TS17 0LT

**PRO: G4YLB. J.A. Welsh**  
3 Minster Cresc, DARWEN, BB3 3PY

**CONTEST MANAGER: M5AGL**  
15a Buckden Rd, BRAMPTON, PE18 4PR

**COMMITTEE**

**Chairman**  
**Vice Chairman**  
**P.R.O.**  
**Secretary**

**G4XHZ**  
**G4YLB**  
**G4YLB**  
**G3ZQS**

Pse keep watch on all Novice allocations  
Recommended calling QRGs:  
3.558, 7028, 14.058, 21.058, 28.058

**AWARDS**

e-mail apps/logs to Dennis, K6DF:  
<fistsawards@attbi.com>  
written logs to HQ.

## GREETINGS

Well I am not sorry to see the back of November. Bonfire night stretched out to six instead of one creating the need to nurse maid Suzy for almost a full week. I have little doubt that many others with canine family members would have found themselves in the same boat. And all this because a bunch of malcontents failed to put a King and his parliament into orbit. Uuugh. Strange happenings HF with most bands supporting only short skip stuff and then suddenly providing brief openings to some choice DX. Shame really because quite a number of US West coast members were audible during these periods but QSOs were terminated abruptly.

Up here in the hick country we have been enjoying many mild spells though at the time of composing this letter, a number of overnight frosts resulted in the sound of many credit cards being applied to many windscreens. Must offer sympathy though to those who found themselves threatened with flood warnings.

Those new US patches have been disappearing fast. I still have about 60 left from the original batch of 100 but the way things have been going, it will not be long before I have to ask Nancy to send some more over. Having had a very satisfying couple of weeks flying the flag with MX5IPX/P, M0LOE will be activating it again Dec22 to Jan5. Must be something of a magnet to the US gang. Don't forget that the call is available to all members. I ask only that your fist is good enough to justify the call.

The Post Office has excelled themselves. A Friday morning delivery included a slip demanding 99p excess on a letter waiting at the collection office. The following Monday a.m. (there is a mere two hour window) the slip was presented and unearthed a letter from GOBYA complete with stamp. Grrr!

## ACTIVITY 2003

Bob, M5AGL, would like to make a few mods to the format of the activity ladder and SKW for the coming year:

**Activity Ladder.**

This is to be run on the last Sunday of each month from 0700 utc to 2100utc. The rules to be as previous contests but with one change to the scoring. Club stations to be included. Scoring: 1 point for non members, 2 points for members, 3 points for club stations.

**Straight Key week.**

I would like to run 2 straight key weeks as we used to in the past.

1. 0000 utc on 16<sup>th</sup> March to 2400 utc on 22<sup>nd</sup> March 02.
2. 0000 utc on 7<sup>th</sup> September to 2400 utc 13<sup>th</sup> September 02

The rules to be as in the past with one change to the scoring. 1 point for none members. 2 points for members and 3 points for club stations.

Hopefully by including club stations in the points it might encourage them to be on air.

Additionally, the US gang may be emulating both these events so there may well be profit in checking out the HF bands rather than the usual 40/80. Hitherto I have largely ignored the US Sprints, regarding them as strictly domestic but recent communication from Nancy indicated that EU/DX presence during these events would be most welcome. I will make the fixtures known as they occur.

(Note from Nancy: The NA contingent is not sponsoring separate versions of these events in 2003. I am assuming all FISTS will be welcome to participate in the UK events although we may not be eligible for the awards.)

## FROM THE ANTIPODES

Ralph, ZL2AOH emailed the following:

*The war continues: Extracted from QNEWS dated 9 November 2002.*

*The International Amateur Radio Union Region 1 Conference is slated for the tiny nation of San Marino beginning today, November 10th. And according to W5YI Report's Fred Maia, it could be a rather hot meeting. The reason — two words — Morse code.*

*Writing in the November 1st issue of his newsletter, Maia says that the subject of Morse proficiency testing among those serving on the High Frequency Committee is shaping up to be controversial.*

*On one side are two giants. Germany's Deutscher Amateur Radio Club and the Union of Russian Radio Amateurs are two national societies who are already on record as opposing dropping Morse testing as an international requirement. Leading the charge to eliminate manual telegraphy tests is the Radio Society of Great Britain. It says that Region 1 of the InIARU Region 1 international Amateur Radio Union should formally endorse the October 2001 resolution of the IARU Administrative Council in respect to abolishing mandatory Morse exams.*

*Both the Deutscher Amateur Radio Club and the RSGB have submitted well crafted conference documents stating their respective positions. How this will all work out will be known at the close of the conference on November 15th. (arnewsline)*

## QUADS FOR LESS QUIDS

*Hi Geo A friend in christchurch ZL3RG. Graham sent me info on the Lighting Bolt 5-band quad. He has just put one up and rates it very highly. The price \$289 US (£ 185) shipping \$147.26 US. Customs want 1 to 6% plus vat but it is still under the price of a 3 band quad. I am waiting for him to ring so I can order one. If any members are interested the email ad is: Ibaquads@ztrain.com. Grant G0UQF*

## WANTED

Narrow (200Hz) filter for Ten-Tec Corsair II which G0TUE has managed to get his sticky fingers on.  
Contact: g0tue@aol.com

## 2M CW

*Twometrecw has changed to <http://groups.yahoo.com/group/VHF-CW/> and they now cover ten metres to 70cms CW. More information can be found at my website on the group homepage and the direct URL is <http://www.gsl.net/g0hga/vhfcwpage.htm>. The other thing is that I have had to restrict the group to UK and Europe as I cannot cope with it otherwise. My main objective is still supporting the 2m band but I felt pressured to include other bands.*

Angie is not exactly hanging about. At the cost of much CW activity, she has embarked on an IT course and is deeply into such things as web-page construction and other such stuff which is quite beyond the capacity of my own grey cells.

## STAMPS

*I just thought i would let you know how the stamps are going., Up to now the church has received 31000 stamps 12000 of which our generous FISTS members have donated.could you thank them again in the next news letter and ask them to keep up the brilliant work, and in return I will press him to ask that all FISTS members be allowed in heaven with their keys hi.  
Cheers Chuck, M0AVW.*

## SILENT KEY

Belated advice from his widow of the death of M0BLG, 8 March, 2002.

Bill spread his interests widely. 22 years as Councillor for Ipswich Borough, tropical fish , philately and what must be a most unusual pastime, painting model soldiers and of course, amateur radio. His framed Century award is still prominent in the shack.

## CW PRACTICE

*Apologies to those who have been waiting patiently for the CW practice sessions to begin on 3.595 MHz at 1830 clock time since I first announced it almost 2 months ago.*

*Some of my students have had problems getting a suitable Rx organised, but have now done so, so given the final tests will happen this week (as I am only in Epsom for a couple of nights this week), regular practice on Mon, Tues, Wed + Thurs will tart from next Mon (18th).*

*Reports welcome by email, by phone to my mobile or by fax. Contact <andy.digby@mail.com>  
73's Andy Digby, G0JLX*

## THOSE TICK BOXES

Dunno how many of you feel the same way but I just **HATE** those silly return forms which present tick boxes and are usually headed by such phrases as "Yes PLEASE" etc. etc. Reminds me of the awful advertisements in those cheap Yankee magazines "YES! Please rush me your special roach raider" etc inferring that the originator considered that although you could read, you were incapable of stringing more than a couple of words together. Last year I approached boiling point when the RSGB sank to this level with their renewal forms and complained bitterly. This year - guess what - same thing. I swallowed my pride and renewed FISTS membership though pointedly **NOT** using the offending form but I am hanged if I will respond to this for my personal membership. If this is an indication of their respect for folks who for the past 32 years have maintained their dues then they don't deserve support. Gerroff your soap box Geo!.

## FIRST CLUB/DIAMOND?

A 10M contact with Mick, G3RYZ, was something of a milestone since it gave Stan, K4UK with the club call W4FCR the 1000th point needed for the Diamond Award. All told, the club has been collecting valued points from the C2C, Sprints and 15th Anniversary Award and regular monthly activity on the 15<sup>th</sup> of each month. Stan is hoping that W4FCR is the first club to gain the Diamond award and he includes a breakdown:

728 individual FISTS FISTS members including 47 clubs of which 12 were outside the US. Others include:

94 U.K., 39 Canadian, 35 Europe, 14 North America, 11VK/ZL/JA, 3 South America, and 1 Africa. QSO's with 484 U.S. FISTS

The main operators of W4FCR were Buddy, W4YE - Riley, K4ORD - and me.

330 points only so far for the Platinum 500 but will be looking for 10 and 15 openings in the hope of completing this one during the winter.

## OOOOPS AGN!

I hang my head in shame. Towards the middle of the month, I got subs from a member accompanied by a whopping ten 2nd class stamps. After completing the business of logging the subs I had completely forgotten who the donor was since the excess stamps were not mentioned. Whoever it was... pse LMK as I would like to return a listing at least.

## WOODPECKER

T'was not of a strength to cause problems but what seemed to me to be the dreaded over-the-horizon-radar suddenly appeared on 40M one day earlier this month and slap bang on 7.028 of course. Could it perhaps be a side product of the current political situation concerning the Middle East? If anyone knows more then I would appreciate the info.

## THE IN BOX

By and large the stuff in the 'in' box is afforded an immediate reply but the odd few are retained for publication.

### **G0DRT**

*I was interested to read about GM3PIP using the 1154/1155 gear. I too have some of this gear, and I use it now and again in both cw and a.m modes (sorry about the swearing!). I have had a lot of fun with it, and it still gives a good account of itself on the air. I also use a Collins TCS12 combo, which also works fine if you don't mind the clattering of the relays. My main station rig, however, is an IC746, which I operate mainly grp cw, of course. 73 de Peter*

### **G3HAL**

*Just a thought on those speed merchants who won't slow down for a less competent operator or in poor conditions. I wonder if they realise that if they aren't communicating they are just adding to the level of QRM for everyone else.*

*73 de Pol*

Well that's an oft voiced observation Pol and is perfectly valid. Don't know if it is FISTS oriented influence or what but there is sure a heck of a lot less of it than there was a few years ago. There are still people around applying the old CQ x 20 de Call x 3 who do not realise that people get bored and tune elsewhere but again they are not as prominent as a few years ago. Mayhap the good practices are contagious?

## ROYAL MAIL AGAIN

Well I just couldn't believe it. I have been at this QTH since 1972 and all that time, there was an old fashioned red pillar box about 250 yards down the road. It accepted some 15 to 20 C4 stiffened envelopes (Certs and Awards) each month but with no warning at all, it has now been replaced by a 'box on a stick' which accepts nothing over C5. Result is that unless I am prepared to fork out 64p return bus fare to the neares sub-office, such items will have to wait for the 'shopping day' run to town. Grrrrr!

## SWANSEA RALLY

We are a little in advance here but it is worth a note in your diary that the Swansea ARS has kindly invited FISTS to participate in their rally 23 Feb/03 at the leisure Centre.

I understand that FOC has already made arrangements to be present and it is Bill, GW0SGG, who plans to launch a combined FISTS, RAFARS, RSARS and RNARS presentation. Should be quite a day.

## QSL BUREAU

Chuck has asked me to remind you (**again**) to make your destinations clear on your outgoing cards. Top right of reverse should be inscribed FISTS, G-QRP, RSARS etc. With 1100 plus call signs, he can't recognise them all and checking against the list is tedious to say the least.

## THE STRAWBERRY BASKET

**G5BM.** Frank continues to enjoy his association with the gang finding members friendly and always ready for a rag chew. November produced 3X67C(10M), 9L1AB(30M), ZL2AOH + VK2YN(20M), FG8KN(15M), HP3XUG(12M), 7Q7BP(10M) and DL0SWA/DDH47 on 147.3KHz cross-band with 7.025. Only one thing bothering me..... why in blazes can't I find 'em? **G3JZV/G2JL.** New member Mort adopted the callsign of G2JL ex Bob Albright. After reminding Bob's son to take adopt it he said he would prefer Mort to take on the call since it should rightly be aired in CW. Nice gesture! **G0ELZ.** Bill may perhaps be back home by the time you read this since a short 4-day trip to Cologne Christmas Markets was scheduled for the end of November. He was armed with a FT817 and 'walkabout' antenna should the opportunity for a few QRP natters arise and whilst confirming that all is ticking over on Merseyside, he reminds me that there are no less than five Callsigns on four ships within a twenty yards radius, - GB2PLY/GX0SJW on HMS Plymouth, HM Submarine Onyx GB0NYX, G0TON on the Bronington and GB2LBL on the Lightship Planet. The latter is not one of the group and is run by Lightship enthusiasts. Good grief. It must be chaos when they are all active. Such is the time spent on floating shacks he "even dressed XYL in oilskins and souwester to pipe Hands to Dinner". You slipped up mate. A more appropriate call would be hand of the mess to rum. **M0BDD.** Our Derrick may be found with a FISTS visitors book on the RSARS stand at some of the Midland rallies. Last was Birmingham on 17 Nov (which we missed of course) but keep an eye open for the Brown Jobs at rallies in the area. **M3TOP.** Upgrading from his M1TOP call, Topy extends thanks to Rosy (G0REA) for her patience in coaxing this 73 year old beyond the foothills of extreme QRS. **G3UAA.** Alf ponders the feasibility of a monthly QSO party for Century Award holders to promote activity and 'gee up' those who seem to delight in telling him "sri.. no CC yet". **G4GZG.** Larry wonders if due to his need to earn a crust and consequent mid-week evening activity he is missing out. Leastways he has the lingering suspicion that he is on the wrong bands at the wrong time. With the early nights Larry, 80M is generally favourite though 40M also comes into its own but then so does the noise. You can't win them all. Whilst applauding the DSP/IF shift etc of his IC756PRO, he recently fired up his old Eddystone EC958 with a Datong FL3 and found roughly the same selectivity and noise reduction. This old bundle handles adjacent sigs better I think Larry without the need for attenuation. **GM3LGM.** Bill's good lady has a diabetic condition akin to my own inasmuch as it is controlled by tablets. No family up there in St. Andrews and he enjoys only fortnightly visits from the high-flying daughter in Brum. In situations like this, amateur radio is a god-send.

## EUCW FRAT PARTY

No detailed results as yet but I did get a quick word from Maurice, F5NQL with 134 QSOs, 368points via 60 multipliers in the EUCW Fraternising party. Sorry I was unable to make it due to the workload at this end but this is par for the course recently as free time is quite definitely at a premium. Looking forward to pressing the old RN pump handle into service for SK/W.

## E-KEYNOTE

Andy seems to be running into 'bouncers' every month and it is costing time and expense to contact them. The maintenance of your ISP's dues etc. is your responsibility - not ours - so if delivery fails after a reasonable period, I must ask you to check that you're compliant with your ISP and check our website to see if Keynote is available for download. Please ensure also that we are included in your address book and in the event of any change of ISP or address we will be included in any mass mailing to this effect.

## WHOOOPS !

My apologies to some 30 members who were inadvertently sent reminder slips when in truth, they were in compliance. Most were recognised as soon as the error came to light (and brought up to date) but if there are any who have escaped the net then I would ask them to LMK asap. Embarrassingly, a Keynote and reminder was sent to a member who was logged as silent key and really should not have been in the database at all. After up-dating the anti-virus suite, an occurrence of the worm virus I-bugbear was detected though I do not think that this would have been responsible for the kokup. A few sent their renewal unquestioning so I took the liberty of up-dating these to include an additional year. It is a little complicated but basically down to the change over of PCs and also the nasty trait of the accounts package which insists on defaulting to the last account edited. In fact, the situation was exaggerated by the need to constantly shift from one programme to another and from current to previous accounts with no less than seven members failing to identify themselves.

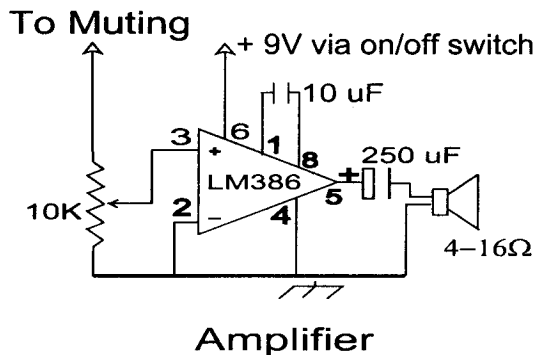
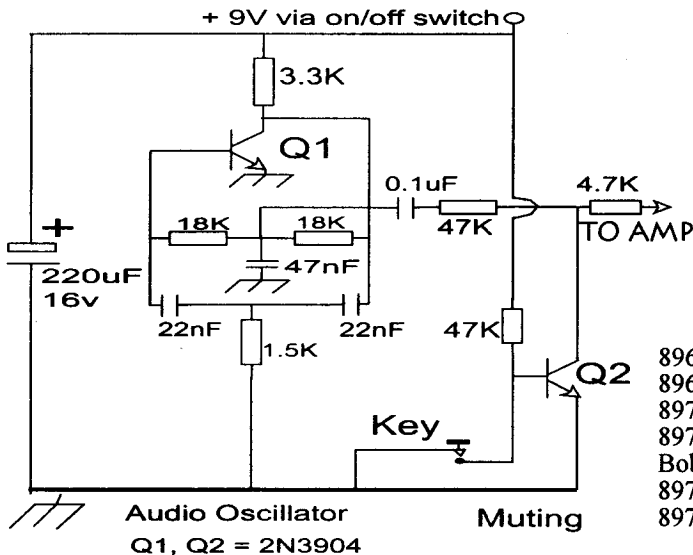
Of these, three simply sent a cheque and nothing else. Do please try to remember that because your callsign is unique it is used to index the files which are ordered on number only temporarily for labels and other purposes.

## NEAT PRACTICE OSCILLATOR

John, VE7NI, dug this up on the internet so I guess we can't claim originality. Think it could serve well as a project for foundation courses or such like.

Functions around a Twin T AF osc generating a near sine wave at 700Hz whilst the AF Amp will drive an el-cheapo speaker quite happily.

Note that keying is via Q2 leaving the oscillator proper unaffected by keying. With key up, the collector/emitter resistance is low enough to for a short circuit to ground whilst on key down, the same resistance through the ceiling. The variable is a 10K pot which adjusts audio level.



## OCTOBER LADDER

Thank you Bob, M5AGL for the returns below. Trust the job is not too taxing but at least it is keeping you off street corners!

*Hi Geo, Once again its ladder time, it doesn't seem like a month since I sent you my first as contest manger. Tom now has his nose well in front of Peter they both seem to find the contacts. Its pleasing to still get a reasonable number of returns. The returns for October are listed with the running*

annual totals.

Activity Ladder 2002-11-16.

October Returns.

G0SCP	317
G4LHI	223
M5ABN	125
GOMRH	61
M0DRK	52
M3GBT	50
HB9CHE	38
OH7QR	31
G3VQO	24
M0CMQ	20
M0RHB	17
M5AGL	10
M3XGQ	4
GW0SGG	NIL

Annual Totals.

G0SCP	2048
G4LHI	1933
M5ABN	806
MODRK	196
GW0SGG	180
G3VQO	169
M5AGL	167
G0MRH	127
M3GBT	125
OH7QR	111
HB9CHE	99
M0CMQ	91
M0RHB	17
M3XGQ	10

*M0RHB is a new entrant, nice to see you Rod. Many thanks to all who take the time to give those above the points it would be nice to receive a log from you. That's all for this month Geo, I trust you and Ivy are well. 73 de Bob. M5AGL.*

## NEW MEMBERS

8966	M3BGH	John	8967	JE3ECD	Hide
8968	OK1NR	Jan	8969	MM0CTS	Ron
8970	G2JL	Mort	8971	G3TEV	Mike
8972	MW0RMS		Den	8973	M0BYJ
Bob					
8974	M0VRT	Laurie	8975	G3KPT	Gerry.
8976	M5BTG	Tim			

You will have noted earlier that G2JL is a redeemed callsign and also that M1TOP is now M3TOP and now, with the inflated contingent from the US and also the gang down under, we are rapidly approaching the point where it will be necessary to move on to 5 digit numbers. If I had envisioned the need for this back in the early days I would surely have started out with 00001 but hindsight as they say is a wonderful thing. Hi.

## FINALE

The next Keynote will be the February edition and will be circulated in January. This gives yours truly a bit of a break and I may even have time to get on the air for a change. Hi.

All in all it has been a pretty good year. Our numbers continue to grow and with this in mind, 2003 will be worth looking forward to. The US and ZL/VK gang should be accessible to all our EU members with any luck so those of you chasing those awards will surely find the new year profitable in this respect.

Keep up the good work people - have a super Christmas and may 2003 bring health and happiness to you all and your families.

73/88 and pse don't overdo the Christmas cheer. Hi. Geo

## A New Yearly Award Starting in 2003 - introducing The NANFY Award

Jack Bock, K7ZZR, #2656, has generously given FISTS an award idea he created for his local club, The Western Washington DX Club. This club used it for a decade and had a lot of fun with it. This award appealed to me on several levels. Unlike other FISTS awards, it does not involve collecting numbers and keeping track of scores. All FISTS members are "equal value", no one group is favored over another. It's a low pressure event, you can work it any time, any place - it doesn't wreak havoc with family obligations. Jack originally named it the Nightmare Alex Alpha Numeric Yearly Award. For FISTS use, we modified it to be The Nightmare Alpha-Numeric FISTS Yearly Award

The rules are simple and straightward:

- 1) **Contacts must be 2-way CW on-air contacts made between Jan 1 and Dec 31 each calendar year. Contacts can be made at any time, any place at any speed, any band.**
- 2) **Contacts must be with a person or club with a FISTS number, in any country or location.**

The object is to work stations whose callsigns fit into the squares on a grid. There are 260 squares (26 letters and 10 numerals) 'Counters' are the last numeral of the callsign and the first letter of the suffix. For example, K7ZR goes in the 7 column at the Z row. WZ8C fits in the 8 column on the C row. V31CW would be in the 1 row on the C line. By convention, use the numeral of a portable designator if there is one - WB9CIS /M3 would be in the 3 row on the C line. Write the date (month/day) of the contact in the square with the callsign for reference.

Jack tells me it will go easily at first, as there are lots of 1,2,3 calls areas and A,B,C suffixes. But, it's not as easy as it looks! I checked the FISTS membership list and there are more than enough callsign combos to make this award possible. Many thanks to Jack for giving his idea to FISTS, I know we'll have a lot of fun with it!

To get your 2003 NANFY certificate, send your completed grid (filled in with the callsigns and dates) along with your log (containing the usual contact info and FISTS numbers) to Dennis K6DF. As always, certificates are free to Active FISTS Members (meaning: you've paid your subs). Those not in good standing please include \$3 to cover costs. Separate certificates are NOT available for different versions (such as QRP, Mobile) but you may have your callsign printed with a designation on the certificate, such as K3WWP-QRP or K4UK/Mobile.

	1	2	3	4	5	6
A	ADØA /M1 <sup>3/10</sup>		ADØA /M3 <sup>3/12</sup>			
B				KM4ØR <sup>4/10</sup>		
C						
D		NP2DJ <sup>3/11</sup>		Sample		K6DF <sup>1/20</sup>
E		W2ESX <sup>1/12</sup>				
F						
G						
H			N3HLM <sup>2/14</sup>			
I						

	1	2	3	4	5	6	7	8	9	0
A										
B										
C										
D										
E										
F										
G										
H										
I										
J										
K										
L										
M										
N										
O										
P										
Q										
R										
S										
T										
U										
V										
W										
X										
Y										
Z										

FISTS CW CLUB, PO Box 47, Hadley MI 48440-0047  
email: nancy@tir.com web page: <http://www.fists.org>

NONPROFIT ORG  
U.S. POSTAGE PAID  
Permit 12  
Hadley MI 48440

**ADDRESS SERVICE REQUESTED**

If your address changes, please let us know; undelivered and re-sent newsletters are very costly.

Don't miss out - get your 15th Anniversary Award log in by the end of January

**WINTER SPRINT:**  
**2ND SATURDAY**  
**IN FEBRUARY**  
**1700Z - 2100Z**

**NEW AWARDS FOR 2003:**

NANFY Award - Nightmare Alpha-Numeric FISTS Yearly Award created by Jack, K7ZR  
FISTS USA Operating and Achievement Awards

Thanks Tom, WB5KHC, for creating the entry/log forms available for downloading via our website

**NEW:**

KC8VIO, (vanity pending), GX0IPX, ZL6FF are worth 5 points starting January 1, 2003

**IMPORTANT:** Have YOU sent Self-Addressed-Stamped Envelopes to our QSL Bureau?? Do they have your current address on them? If not - DO IT!! (please)